




Camina





Here at Camina we have many years experience of stove heating products. Our fireplace stoves, masonry stoves, tiled stoves, cast iron stoves, stove units/inserts and chimneys bring both heat and comfort to many people across our country.

For some time now our ambitions have stretched beyond Sweden. We aim to spread comfort and warmth with a combination of Swedish manufacturing and high level of design to the people of the rest of Europe.

Camina's work also means offering products with the most cutting edge combustion technology at a reasonable price. Our products are type and environmentally approved.

If you are looking for a suitable stove heating product do not hesitate, give us the opportunity! With the help of our catalogue you will find something that meets your needs.


With warm wishes from all at

Camina



# CONTENTS


---

Fireplace stoves  6-19


---

Chimneyless spirit stove  20

---

Combined pellet & wood stove  21

---

Masonry stoves  22-31


---

Cast iron stoves  32-37

---

Tiled stoves  38-49

---

Stove units/Stove inserts  50-55

---

Optional extras/  
Floor protection & floor plates 56-57

---

Chimneys & connection pipes 58-65

---

Technical info 66-75





# FIREPLACE STOVES

## FOR COSY TIMES

A fireplace stove is an excellent heat source and a furnishing fixture that creates a delightfully cosy atmosphere. Our best-selling Art range has been developed with versatility in mind. Modern, timeless designs with elements of classical lines allow our stoves to blend in to a variety of environments. The range boasts the latest combustion technology, making it highly efficient.

**Stylish column with pedestal**

Camina Art Milou is our latest stove in the Art range designed by Gustaf Hallén. The stove can be rotated 45 degrees in both directions, so that the large window and the two side windows can be seen from different parts of the room. The combustion chamber has a dump grate, ash tray and a vermiculite lining for efficient combustion. Camina Art Milou can be connected to outdoor air via the floor and top connected to the chimney while retaining the possibility of rotation. The stove is locked in one position when the chimney and outdoor air connections are at the rear. The stove is also locked in position if it is in a corner without firewall. Camina Art Milou is suitable for a fan. Glove included.

**Optional extras**

Floor plate grey/black 953x1175 mm:

Glass floor protector 953x1175 mm:

Outdoor air connection  $\varnothing$  55 mm: *see page 56*

Fan:

Chimneys and connection pipes, *see page 58-64*

Stove colours:

Grey

Black

**Technical data for Camina Art Milou**

Height standard	1106 mm
Width	501 mm
Depth	443 mm
Weight	131 kg
Output	2-8 kW
Connection pipes	$\varnothing$ 150 mm
Wood length	35 cm
P-marked	39 53 03

*Other technical info on page 66*



**Heating and design**

Camina Art Julie is new to our range. It is a stylish stove suitable for the modern home. A large window adorns the front of the stove and the dancing flames naturally impress anyone who comes to visit. The combustion chamber has a dump grate, ash tray and a vermiculite lining for more efficient combustion. The Camina Art Julie is suitable for both outdoor air connection and a fan. Glove included.

**Optional extras**

Floor plate grey/black 706x846 mm:

Floor protector glass 706x846 mm:

Outdoor air connection  $\varnothing$  55 mm: *see page 56*

Fan:

Chimneys and connection pipes, *see pages 58-64*

**Stove colours:**

Grey

Black

**Technical data for Camina Art Julie**

Height standard	1045 mm
Width	501 mm
Depth	443 mm
Weight	113 kg
Output	2-8 kW
Connection pipes	$\varnothing$ 150 mm
Wood length	35 cm
P-marked	39 53 03

*Other technical info on page 66*



**Spreads heat and light**

Camina Art Xavier is new to our range. The shape and design are very stylish and it is a relative of Camina Art Julie. A large window embellishes the front of the stove and the two side windows ensure that the firelight is spread around the room. The combustion chamber has a dump grate, ash tray and a vermiculite lining for more efficient combustion. The Camina Art Xavier is suitable for both outdoor air connection and a fan. Glove included.

**Optional extras**

Floor plate grey/black 706x846 mm:

Floor protector glass 706x846 mm:

Outdoor air connection  $\varnothing$  55 mm: *see page 56*

Fan:

Chimneys and connection pipes, *see pages 58-64*

**Stove colours:**

Grey

Black

**Technical data for Camina Art Xavier**

Height standard	1080 mm
Width	501 mm
Depth	443 mm
Weight	119 kg
Output	2-8 kW
Connection pipes	$\varnothing$ 150 mm
Wood length	35 cm
P-marked	39 53 03

*Other technical info on page 66*



**Simple is beautiful**

The Camina Art Suprême is a stove designed by Gustav Hallén. He has chosen to give the firebox soft lines. This model has a heat-retaining soapstone top. The large glass panels scatter firelight out into the room at an angle of 150° and given an impressive view of the fire. The combustion chamber has a dump grate, ash tray and vermiculite lining for more efficient combustion. The Camina Art Suprême is suitable for both outdoor air connection and a fan. Glove included.

**Optional extras**

Floor plate grey/black 706x846 mm:

Floor protector glass 706x846 mm:

Outdoor air connection  $\varnothing$  55 mm: *see page 56*

Fan:

Chimneys and connection pipes, *see pages 58-64*

**Stove colours:**

Grey

Black

**Technical data for Camina Art Suprême**

Height standard	1054 mm
Width	504 mm
Depth	448 mm
Weight	122 kg
Output	2-8 kW
Connection pipes	$\varnothing$ 150 mm
Wood length	35 cm
P-marked	39 53 03

*Other technical info on page 67*

**New visions**

Gustav Hallén has designed a stove with extraordinary eye-catching features. The glass side panels are integrated with the front glass panel, which in turn is divided into two, with the right side being the actual door. This model also has a heat-retaining soapstone top. The large glass panels scatter firelight out into the room at an angle of 150° and given an impressive view of the fire. The combustion chamber has a dump grate, ash tray and vermiculite lining for more efficient combustion. The Camina Art Mystica is suitable for both outdoor air connection and a fan. Cast-iron pedestal and glove included.

**Optional extras**

Soapstone pedestal, 15 kg:

Floor plate grey/black 706x846 mm:

Floor protector glass 706x846 mm:

Outdoor air connection  $\varnothing$  55 mm: *see page 56*

Fan:

Chimneys and connection pipes, *see pages 58-64*

**Stove colours:**

Grey

Black

**Technical data for Camina Art Mystica**

Height standard	1094 mm
Width	510 mm
Depth	448 mm
Weight	132 kg
Output	2-8 kW
Connection pipes	$\varnothing$ 150 mm
Wood length	35 cm
P-marked	39 53 03

*Other technical info on page 67*



**Elegant shapes and stylish details**

The Camina Art Etage has a two-tier top of heat-retaining soapstone. The two tiers make the stove slightly taller and give it a slimmer look. The design here is also based on the same combustion chamber with a large glass door and glass side panels, giving an impressive view of the fire. The stove is very easy to site thanks to its neat round shape and compact size. The combustion chamber has a dump grate, ash tray and a vermiculite lining for improved combustion. The Camina Art Etage is suitable for both outdoor air connection and a fan. Cast-iron pedestal and glove included.

**Optional extras**

Soapstone pedestal, 15 kg:

Floor plate grey/black 706x846 mm:

Floor protector glass 706x846 mm:

Outdoor air connection  $\varnothing$  55 mm: *see page 56*

Fan:

Chimneys and connection pipes, *see pages 58-64*

**Stove colours:**

Grey

Black

**Technical data for Camina Art Etage**

Height standard	1219 mm
Width	510 mm
Depth	448 mm
Weight	124 kg
Output	2-8 kW
Connection pipes	$\varnothing$ 150 mm
Wood length	35 cm
P-marked	39 53 03

The stove shown in the picture has the optional soapstone pedestal.

*Other technical info on page 67*

**Functional and practical**

The Camina Art Grace has a baking compartment above the combustion chamber suitable for heating “grandma’s homemade buns”. This model also has a heat-retaining soapstone top. The large glass panels give a firelight scattering angle of 150° out into the room. The rounded shape and neat size make the stove easy to site. The combustion chamber has an ash tray, a dump grate and a vermiculite lining for improved combustion. The stove is suitable for a fan and outdoor air connection. Cast-iron pedestal and glove included.

**Optional extras**

Soapstone pedestal, 15 kg:

Floor plate grey/black 706x846 mm:

Floor protector glass 706x846 mm:

Outdoor air connection  $\varnothing$  55 mm: *see page 56*

Fan:

Chimneys and connection pipes, *see pages 58-64*

Stove colour:

Grey

**Technical data for Camina Art Grace**

Height standard	1239 mm
Width	510 mm
Depth	448 mm
Weight	124 kg
Output	2-8 kW
Connection pipes	$\varnothing$ 150 mm
Wood length	35 cm
P-marked	39 53 03

*Other technical info on page 67*



**Stores heat**

Camina Art Pierre is a bang-up-to-date model with the latest in combustion technology. It has a beautiful soapstone surround, with heat being retained by the stone long after the fire has died down and gone out. A large window adorns the front of the stove and the dancing flames naturally impress anyone who comes to visit. The combustion chamber has a dump grate, ash tray and vermiculite lining for more efficient combustion. The Camina Art Pierre is suitable for both outdoor air connection and a fan. Glove included.

**Optional extras**

Floor plate grey/black 706x846 mm:

Floor protector glass 706x846 mm:

Outdoor air connection  $\varnothing$  55 mm: *see page 56*

Fan:

Chimneys and connection pipes, *see pages 58-64*

**Stove colours:**

Grey

**Technical data for Camina Pierre**

Height standard	1084 mm
Width	580 mm
Depth	448 mm
Weight	173 kg
Output	2-8 kW
Connection pipes	$\varnothing$ 150 mm
Wood length	35 cm
P-marked	39 53 03

*Other technical info on page 68*

# A star in heat storage

## CAMINA ART SAHARA

### The simplicity of natural materials

This model has a heat-retaining soapstone surround. The stone has an excellent heat-storage capacity and remains warm long after the fire has gone out. Camina's Art range has the most generous view of the fire on the market. The combustion chamber has a dump grate, ash tray and a vermiculite lining for more efficient combustion. The Camina Art Sahara is suitable for both outdoor air connection and a fan. Glove included.

#### Optional extras

Floor plate grey/black 706x846 mm:

Floor protector glass 706x846 mm:

Outdoor air connection  $\varnothing$  55 mm: *see page 56*

Fan:

Chimneys and connection pipes, *see pages 58-64*

Stove colours:

Grey

Black

#### Technical data for Camina Art Sahara

Height standard	1084 mm
Width	580 mm
Depth	448 mm
Weight	173 kg
Output	2-8 kW
Connection pipes	$\varnothing$ 150 mm
Wood length	35 cm
P-marked	39 53 03

*Other technical info on page 68*



**Lovely residual heat**

The Camina Art Moderne has a beautiful heat-retaining soapstone surround. Thanks to the properties of the natural stone the heat is stored in the material and the stove emits delightful warmth long after the fire has died down and gone out. The design here is also based on the same combustion chamber with a large glass door and glass side panels, giving an impressive view of the fire. The combustion chamber has a dump grate, ash tray and a vermiculite lining for improved combustion. The Camina Art Moderne is suitable for both outdoor air connection and a fan. Glove included.

**Optional extras**

Floor plate grey/black 706x846 mm:

Floor protector glass 706x846 mm:

Outdoor air connection  $\varnothing$  55 mm: *see page 56*

Fan:

Chimneys and connection pipes, *see pages 58-64*

**Stove colours:**

Grey

Black

**Technical data for Camina Art Moderne**

Height standard	1194 mm
Width	580 mm
Depth	448 mm
Weight	210 kg
Output	2-8 kW
Connection pipes	$\varnothing$ 150 mm
Wood length	35 cm
P-marked	39 53 03

*Other technical info on page 68*

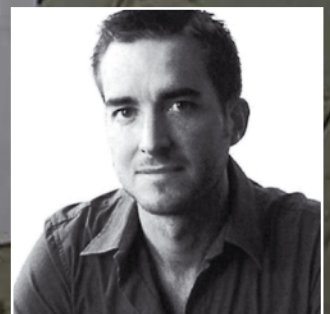


# Design and product development



Industrial designer Gustav Hallén primarily works with product development but also with interaction design and graphic design. His aim is to create affordable products with high design content – where the greatest challenge is to keep within a given framework but also to push the boundaries as far as possible. Among other things, Gustav has designed the Camina Art, Camina Getterön Camina 4000 stoves.

**Gustav Hallén**  
Designer



**A modern campfire**

A fireplace stove from Camina is a natural focus for the home. The nice and simple Camina 200 is ideal for most homes. The stove is designed to be positioned against a straight wall or in a corner, or, if you prefer, you can have it freestanding in the centre of a room. The back has no rivets or screws and the large combustion chamber allows the fire to be seen almost all the way round. A heat-retaining block is concealed under the hood, and the firebox has a cast-iron base, fall protection device, dump grate and ash tray as well as vermiculite for efficient combustion. The Camina 200 is available in black or grey enamel.

**Optional extras**

Extra extension section to the ceiling 1240 mm:

Floor plate grey/black 840x1000 mm:

Outdoor air connection  $\varnothing$  100 mm: *see page 56*

Fan:

Extra glass side panels for corner positioning:

Rearward connection through wall, 90° or 45°:

Chimneys and connection pipes, *see pages 58-64*

**Stove colours:**

Grey

Black

**Technical data for Camina 200**

Height standard	2450 mm
Width	640 mm
Depth	600 mm
Weight	185 kg
Output	4-7 kW
Connection pipes	$\varnothing$ 150 mm
Wood length	35 cm
P-marked	39 53 01

*Other technical info on page 68*

**The dancing of the flames brings tranquillity**

Soapstone is a soft, attractive material with good heat-retaining capabilities. It has been used for storing heat in stoves and ranges for hundreds of years. The soapstone is left visible in the hood of the Camina 300 to create an extra eye-catching feature. An additional heat-retaining block is available as an optional extra to be placed under the soapstone, enabling the heat to be stored even longer. The firebox has a cast-iron base, fall protection device, dump grate and ash tray as well as a vermiculite lining for efficient combustion. The Camina 300 is available in black or grey enamel.

**Optional extras**

Extra extension section to the ceiling 1240 mm:

Floor plate grey/black 840x1000 mm:

Outdoor air connection  $\varnothing$  100 mm: *see page 56*

Fan:

Extra glass side panels for corner positioning:

Extra heat-storage blocks:

Rearward connection through wall, 90° or 45°:

Chimneys and connection pipes, *see pages 58-64*

**Stove colours:**

Grey

Black

**Technical data for Camina 300**

Height standard	2450 mm
Width	640 mm
Depth	600 mm
Weight	210 kg
Output	4-7 kW
Connection pipes	$\varnothing$ 150 mm
Wood length	35 cm
P-marked	39 53 01

*Other technical info on page 68*



**One in every room**

Camina Art City is what is known as a spirit stove. It does not require any chimney connection and can be sited practically anywhere in a home. This stove is a copy of our own best-selling Camina Art Etage, but in a smaller size. The Camina Art City is ready to use on delivery. No building application is required; simply unpack the stove, position in a suitable location as per the instructions, fill with liquid and light your first fire. It couldn't be simpler. Naturally, the product is P-marked. In addition, the stove has two layers of heat-retaining soapstone. Available in black or grey.



Stove fuel  
1 litre

**Optional extras**

Ceramic logs brown, 3 pack:

Ceramic logs birch, 3 pack:

Extra holder with 2 cups, black/grey:

Stove colours:

Grey

Black

**Technical data for Camina Art City**

Height standard	820 mm
Width	360 mm
Depth	324 mm
Weight	37 kg
Max output	1500 W
Max. fuel consumption	0.26 l/h
Minimum floor area & room volume	13 m <sup>2</sup> and 32 m <sup>3</sup>
P-marked	0078/07

Other technical info on page 69



### Fully-automatic pellet stove

Tyr is a fully-automatic pellet stove. This means it'll be nice and warm inside when you come home. No monitoring required, it is controlled via a thermostat to ensure optimum heat distribution. In terms of capacity, Tyr can distribute heat to most of your home, depending on the layout of the rooms. Tyr uses tried-and-tested pellet technology combined with Nordic design. It has an underfeed pellet burner, providing reliable operation, greater efficiency and easier servicing. A separate store for pellets, either beside or behind the stove in another room – simply choose the solution that suits you best. Suitable for both 6 and 8 mm pellets. You can also use wood.

Tyr has a new modern control with display. Setting options and information now displayed in plain text. Thermostat control controls the burner to obtain the desired room temperature.

#### Optional extras

Connection pipe 500 mm:

(Is available in different lengths and as bend)

Soapstone top:

Ash vacuum Cyclone:

Floor plate black 1100x1100 mm drop:

Floor plate black 800x1000 mm straight:

Floor protector glass 1100x1100 mm drop:

Floor protector glass 800x1000 mm straight:

Top connection in chimney breast 90°:

Rearward connection through wall, 90°:

Spray paint black/grey:

Chimneys and connection pipes, *see pages 58-64*

#### Technical data for EcoTec Tyr

Height	950 mm
Width without storage compartment	490 mm
Depth	650 mm
Weight excl. storage compartment	150 kg
Input power pellets/wood	6-7 kW
Connection pipe ext	ø148 mm
Connection voltage	230 VAC
Output requirement	approx. 50 W
Noise level	44 dB
Environmentally approved	25 18 03

*Other technical info on page 69*



The stove shown in the picture has the optional soapstone top.

# MASONRY STOVES

## EXCLUSIVE LUXURY

Masonry stoves come in many different colours, shapes and sizes. Who's to say that a masonry stove surround has to be painted white? Why not give your imagination free rein, and even if you don't want to go for very strong colours, beige or pale grey make an excellent choice. With a little imagination your masonry stove can blend in perfectly with the rest of your furnishings. A masonry stove is much more than just a fireplace!

**Care and warmth**

The Camina 600 is a versatile and highly popular masonry stove. It can be positioned in a corner, against a straight wall or even free-standing in the centre of a room. The large glass panels allow the fire to be seen almost all the way round. The Camina 600 is a lightweight stove and reinforcement of the floor is not normally required. Installation is very simple, with prefabricated light concrete segments that can easily be assembled on the spot. After installation, the surround can be painted in a light colour, plain or textured. The firebox has a cast-iron base, fall protection device, dump grate and ash tray as well as insulating vermiculite for efficient combustion. The stove is suitable for outdoor air connection and a fan.

**Optional extras**

Marble floor plate:

Concrete height extension 540 mm:

Outdoor air connection  $\varnothing$  100 mm: *see page 56*

Fan:

Extra glass side panels for corner positioning:

Rearward connection through wall, 90°:

Chimneys and connection pipes, *see pages 58-64*

**Technical data for Camina 600**

Height standard	2500 mm
Width	740 mm
Depth	750 mm
Weight	290 kg
Output	4-7 kW
Connection pipes	$\varnothing$ 150 mm
Wood length	35 cm
P-marked	39 53 01

*Other technical info on page 69*



**Rapid heat supply**

The Camina 610 is a masonry stove for positioning against a straight wall. As with the Camina 600, the firebox is sited slightly higher up in the surround to give a better view of the fire, and the large glass panels give a real sense of closeness to the flames. Heat is distributed through two grilles above the stove hood. At the bottom near the floor is a small wood store. The firebox has a cast-iron base, fall protection device, dump grate and ash tray as well as insulating vermiculite for efficient combustion. The surround is made up of ready-made modules of prefabricated light concrete that can be easily assembled on the spot. After installation, the surround can be painted in a light colour, plain or textured. The stove is suitable for outdoor air connection and a fan.

**Optional extras**

Marble floor plate:

Concrete height extension 540 mm:

Outdoor air connection  $\varnothing$  100 mm: *see page 56*

Fan:

Extra glass side panels for corner positioning:

Rearward connection through wall, 90°:

Chimneys and connection pipes, *see pages 58-64***Technical data for Camina 610**

Height standard	2500 mm
Width	740 mm
Depth	650 mm
Weight	290 kg
Output	4-7 kW
Connection pipes	$\varnothing$ 150 mm
Wood length	35 cm
P-marked	39 53 01

*Other technical info on page 69*



**A remedy to give you a spring in your step**

The Camina 700 is a modern, efficient combustion chamber. The firebox is generously elevated to allow a better view of the fire. The combustion chamber has a cast-iron base, fall protection device, dump grate and ash tray as well as insulating vermiculite for efficient combustion. Note the beautiful marble panel by the insert and the attractive niche in the hood. Camina masonry stoves come in prefabricated concrete. After installation, the surround can be painted in a light colour, plain or textured. Camina 700 weight; total 460 kg, the floor beneath the stove may need reinforcement.

**Optional extras**

Floor plate black 840x820 mm:

Concrete height extension 335 mm:

Outdoor air connection  $\varnothing$  100 mm: *see page 56*

Fan:

Extra glass side panels for corner positioning:

Rearward connection through wall, 45°:

Chimneys and connection pipes, *see pages 58-64*

**Technical data for Camina 700**

Height standard	2410 mm
Width	925 mm
Depth	690 mm + fire barrier
Weight	460 kg
Output	4-7 kW
Connection pipes	$\varnothing$ 150 mm
Wood length	35 cm
P-marked	39 53 01

*Other technical info on page 70*



**Focus on the environment**

The Camina 800 is a gorgeous and elegant masonry stove. It must be positioned against a straight wall, and the three glass sides of the combustion chamber allow the light from the fire to spread throughout the room. The stove is supplied as a DIY kit of pre-fabricated concrete. After installation, the surround can be painted in a light colour, plain or textured. The combustion chamber has a dump grate, ash tray and a vermiculite lining. Two attractive marble shelves are included in the surround. The Camina 800 is suitable for both outdoor air connection and a fan.

**Optional extras**

Floor marble 840x175 mm:

Floor plate black 840x175 mm:

Outdoor air connection  $\varnothing$  100 mm: *see page 56*

Fan:

Extra glass side panels for corner positioning:

Rearward connection through wall, 45°:

Chimneys and connection pipes, *see pages 58-64*

**Technical data for Camina 800**

Height standard	2380 mm
Width	935 mm
Depth	763 mm
Weight	480 kg
Output	4-7 kW
Connection pipes	$\varnothing$ 150 mm
Wood length	35 cm
P-marked	39 53 01

*Other technical info on page 70*

# Small easy-to-site masonry stove

## CAMINA DALARÖ

### A luxurious option

The Camina Dalarö is a lightweight corner stove that is simple to install. It is a masonry stove that requires very little space and is ideal for small rooms. The Camina Dalarö is often installed in a space left after removal of a tiled stove. The design of this masonry stove is reminiscent of old fireplaces. The surround is prefabricated concrete, to be assembled on the spot according to instructions. After installation, the surround can be painted in a light colour, plain or textured. The marble shelf above and below the combustion chamber is included in the delivery. If top connected a starter pipe must be purchased. Cast iron insert Camina 4000 is included with the masonry stove, it is also possible to add outdoor air connection. The insert has pre-heated primary and secondary air.

### Optional extras

Floor marble:

Outdoor air connection  $\varnothing$  100 mm: *see page 56*

Ash tray solution:

Starter pipe for top connection:

Rearward connection through wall, 45°:

Rearward connection through wall, 90°:

Chimneys and connection pipes, *see pages 58-64*

### Technical data for Camina Dalarö

Height standard	2380 mm
Width	810 mm
Depth	745 mm
Weight	285 kg
Output	1-8 kW
Nominal output	4.7 kW
Connection pipes	$\varnothing$ 150 mm
Wood length	35 cm
Environmentally approved	0123/02

*Other technical info on page 70*



**A majestic masonry stove**

Camina Västank is a sturdy corner stove. The frieze is supported by classical columns and the niche is framed. Two vents in the hood distribute heat to the room. Camina Västank is a majestic masonry stove suitable for both classical and modern homes. It is easy to site thanks to its small external dimensions. The surround is prefabricated concrete, to be assembled on the spot according to instructions. After installation, the surround can be painted in a light colour, plain or textured. The marble shelf is included in the delivery. If top connected a starter pipe must be purchased. Cast iron insert Camina 4000 is included with the masonry stove, it is also possible to add outdoor air connection. The insert has pre-heated primary and secondary air.

**Optional extras**

Floor plate black:

Outdoor air connection  $\varnothing$  100 mm: *see page 56*

Ash tray solution:

Starter pipe for top connection:

Rearward connection through wall, 45°:

Rearward connection through wall, 90°:

Chimneys and connection pipes, *see pages 58-64*

**Technical data for Camina Västank**

Height standard	2350 mm
Width	1215 mm
Depth	880 mm
Weight	385 kg
Output	1-8 kW
Nominal output	4.7 kW
Connection pipes	$\varnothing$ 150 mm
Wood length	35 cm
Environmentally approved	0123/02

*Other technical info on page 70*

# An efficient masonry stove

## CAMINA ÖVRALID

### A real fiery heart

Camina Övralid is a modern masonry stove that has a traditional look combined with modern combustion technology. Perfect for anyone seeking an attractive masonry stove with a high output. Camina Övralid is designed to be positioned against a straight wall. The surround is a prefabricated concrete DIY kit that is simple to assemble according to the instructions. The marble shelf is standard, and note the attractive niche in the hood as well as the large wood store beneath the combustion chamber. If top connected a starter pipe must be purchased.

#### Optional extras

Floor plate black 890x870 mm:

Concrete height extension 335 mm:

Starter pipe for top connection:

Rearward connection through wall, 45°:

Rearward connection through wall, 90°:

Ash tray solution:

Chimneys and connection pipes, *see pages 58-64*

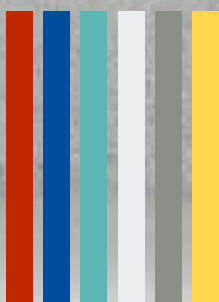
#### Technical data Camina Övralid

Height standard	2430 mm
Width	1025 mm
Depth	740 mm
Weight	425 kg
Output	1-10 kW
Connection pipes	ø200 mm
Wood length	35 cm
Environmentally approved	0295/99

*Other technical info on page 71*



# Let the white masonry stove show its true colours!



The colour is not only a beautiful feature, it is also a dynamic tool to influence the feeling of spaciousness in a room, to highlight the details and to give the interior context. You can now use the masonry stove to furnish in a new way. By painting it in the shade you want, you can either let it interact with other colours in the room or be a surprising contrast.

And best of all – you can paint it as many times as you like!

# Modern masonry stove

## CAMINA GETTERÖN

### Stylish design

Getterön is a modern, designer masonry stove. The light concrete surround is available in four different versions. With a smooth surface, this surround can be painted the colour of your choice. Getterön rustic waxed has a slightly rougher surface with irregularities and has a waxed surface. The combustion chamber in Getterön is our latest insert made of cast iron. The vermiculite in the firebox reflects the heat radiation, makes the combustion process highly efficient and improves the level of efficiency. The front opening is available with a two-panel window or with a full panorama window. An outdoor air connection can be added.



Natural Rustic Waxed



Grey Rustic Waxed

#### Optional extras

Floor plate black 800x1000 mm:

Floor protector glass 800x1000 mm:

Outdoor air connection  $\varnothing$  100 mm:

Rearward connection through wall, 90°:

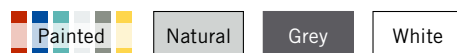
Chimneys and connection pipes, *see pages 58-64*



For effective cleaning,  
use ash tray solution  
with grate.

Getterön is available both with split or  
panorama opening:

Masonry stove colours:



#### Technical data Camina Getterön

Height standard	1220 mm
Width	665 mm
Depth	539 mm
Weight / Getterön for painting	225 kg
Weight / Getterön rustic	260 kg
Output	1-8 kW
Nominal output	4.7 kW
Connection pipes	$\varnothing$ 150 mm
Wood length	35 cm
Environmentally approved	0195/07

Other technical info on page 71



White Rustic Waxed



# CAST IRON STOVES

## QUICK RADIANT HEATING

CaminaEcoTec has a high quality range of cast iron stoves. A cast iron stove is a firebox that mainly produces direct heat in the form of radiant heating. The heat is radiated on all sides of the unit and quickly warms the room.



# Catalytic combustion

## Open fire sensation

Intrepid II is a compact stove with generous glass surfaces for the enjoyable sensation of an “open fire”. Perfect for smaller spaces. The extremely efficient, two-stage combustion with catalytic cleaning gives optimal combustion and a very high level of efficiency. Intrepid II is available in the following colours black paint, ebony black enamel, biscuit enamel, majolica brown enamel or bordeaux enamel.

### Optional extras

1 x heat shelf black:

1 x heat shelf enamel biscuit, majolica brown and ebony black:

1 x heat shelf enamel bordeaux:

Protective plate rear:

Protective plate bottom (included):

Floor plate black 1100x800 mm:

Adapter to outdoor air ø 80 mm:

Adapter connector from 152-150 mm:\*

\*MD134 Support ring for adapter connector when connecting to Perimeter at top connection:

Spark grille:

Thermometer:

Humidifier cast iron black:

Humidifier cast iron biscuit:

Humidifier cast iron majolica brown:

Chimneys and connection pipes, *see pages 58-64*



The stove shown in the picture has the optional heating shelves.

### Technical data for Intrepid II

Height standard	610 mm
Width	545 mm
Depth	545 mm
Weight	100 kg
Output	2-7 kW
Connection pipes	ø152 mm int.
Wood length	35 cm
Environmentally approved	3309/89

Other technical info on page 71



The stove shown in the picture is in majolica brown.



Black paint



Biscuit enamel



Ebony black enamel



Bordeaux enamel

**Maximum combustion**

Acclaim II is timeless design with a completely modern interior. This stove operates using “inverted combustion”. The smoke gases are led through the bed of embers in a second “loop” for maximum combustion and minimal environmental impact. The stove is available in black paint, biscuit enamel, majolica brown enamel or bordeaux enamel.



The stove pictured is in biscuit enamel and has the optional humidifier.

**Optional extras**

1 x heat shelf black:

1 x heat shelf enamel biscuit:

1 x heat shelf enamel bordeaux:

1 x heat shelf enamel majolica brown:

Protective plate rear:

Protective plate bottom (included):

Floor plate black 1100x800 mm:

Adapter connector from 152-150 mm:\*

\*MD134 Support ring for adapter connector when connecting to Perimeter at top connection:

Spark grille:

Thermometer:

Humidifier cast iron black:

Humidifier cast iron biscuit:

Humidifier cast iron majolica brown:

Chimneys and connection pipes, *see pages 58-64*

Stove colours: *See page 33*

**Technical data for Acclaim II**

Height standard	635 mm
Width	660 mm
Depth	584 mm
Weight	180 kg
Output	3-7 kW
Connection pipes	ø 152 mm int.
Wood length	40 cm
Environmentally approved	4348/89

*Other technical info on page 71*

# For choosy wood burners

## ENCORE EB II

### Extremely long burn time

Encore EB II from Vermont Castings is known for its high efficiency, environmental friendliness and extremely long burn time. The extremely efficient, two stage combustion with catalytic cleaning gives optimal combustion and a very high level of efficiency. The possibility of inserting wood from above also means that you can easily feed the stove with wood. The stove is available in the following colours black paint, ebony black enamel, biscuit enamel, majolica brown enamel or bordeaux enamel.

#### Optional extras

1 x heat shelf black:

1 x heat shelf enamel biscuit:

1 x heat shelf enamel majolica brown:

1 x heat shelf enamel ebony black:

1 x heat shelf enamel bordeaux:

Protective plate rear:

Protective plate bottom (included):

Floor plate black 1100x800 mm:

Adapter to outdoor air  $\varnothing$  80 mm:

Adapter connector from 152-150 mm:\*

\*MD134 Support ring for adapter connector when connecting to Perimeter at top connection:

Spark grille:

Thermometer:

Humidifier cast iron black:

Humidifier cast iron biscuit:

Humidifier majolica brown:

Chimneys and connection pipes, *see pages 58-64*

-----  
Stove colours: *See page 33*  
-----

#### Technical data for Encore EB II

Height standard	660 mm
Width	690 mm
Depth	595 mm
Weight	180 kg
Output	3-12 kW
Connection pipes	$\varnothing$ 152 mm int.
Wood length	40 cm
Environmentally approved	4347/89

*Other technical info on page 72*



**With cooking facilities**

Aspen is a small flexible stove that is suitable for both cabin and castle. The small format is highly efficient and can be fired using standard 35 cm logs. As opposed to most small cast iron stoves on the market, Aspen has an ash tray to facilitate ash handling. Like all stoves from Vermont Castings, Aspen also has a thermostat controlled air control and a hot plate for making coffee or making something tasty for example. Handy during a power cut! As an optional extra, this stove can be also complemented with an adapter for outdoor air. A top connected chimney must be equipped with a soot hatch immediately above the stove in order to be able to sweep the smoke deflection plates.

When recessing, see installation instructions before planning and consult your chimney sweep.



The stove can be connected at the top and rear.

**Optional extras**

Adapter connector from 152-150 mm:\*

\*MD134 Support ring for adapter connector when connecting to Perimeter at top connection:

Protective plate bottom (included):

Protective plate rear:

Floor plate black 1100x800 mm:

Adapter to outdoor air  $\varnothing$  80 mm:

Chimneys and connection pipes, *see pages 58-64*

**Technical data for Aspen**

Height standard	570 mm
Width	406 mm
Depth	584 mm
Weight	117 kg
Output	2.5-5.2 kW
Connection pipes	$\varnothing$ 152 mm int.
Wood length	35 cm
Environmentally approved	0040/07

*Other technical info on page 72*



The floor protector shown in the picture was specially manufactured and is not part of the range.

# TILED STOVES

## A LIVING SWEDISH TRADITION

Skene has been known for its fine clay, from the bottom of the Viskan river, since the 1700s. The mud was very pure and was ideal for manufacturing ceramics. The favourable conditions meant that the area around Skene became a centre for the manufacture of pottery goods, bricks & tiles. The body of the tiled stoves and the smoke ducts were built from brick using a mortar of clay and sand.

## Stylish and easy to site

**Classic rounded shapes**

Silvia is a stylish tiled stove with handmade tiles. Rounded tiled stoves have been highly popular over the centuries, but the design of Silvia is primarily drawn from the Art Nouveau style of the early 1900s. It is neat and very easy to site, either against a flat wall or in a corner. Silvia is supplied as a DIY kit and, with a protective plate at the rear (optional extra), can be positioned 5 cm from a flammable wall.

**Optional extras**

Floor plate in brass/stainless steel 800x690 mm:

Outdoor air connection  $\varnothing$  100 mm: *see page 56*

Fan:

Protective plate to rear:

Height extension tiles 290 mm:

Chimneys and connection pipes, *see pages 58-64*

**Technical data for Silvia**

Height	2350 mm
Width	860 mm
Depth	700 mm
Weight	1050 kg
Output	1-10 kW
Connection pipes	$\varnothing$ 150 mm
Wood length	35 cm
Environmentally approved	0109/95

*Other technical info on page 72*



### Classic rounded shapes

Lilian is a stylish tiled stove with matt black handmade tiles in a new design. The rounded tiled stoves have been highly popular over the centuries, but the design of Lilian is primarily drawn from the Art Nouveau style of the early 1900s. It is neat and very easy to site, either against a flat wall or in a corner. Lilian is supplied as a DIY kit and, with a protective plate at the rear (optional extra), can be positioned 5 cm from a flammable wall. The tiles on the crown and cornice are platinum coated and therefore nickel coloured.



### Optional extras

Floor plate in stainless steel 800x690 mm:

Outdoor air connection  $\varnothing$  100 mm: *see page 56*

Fan:

Protective plate to rear:

Height extension tiles 290 mm:

Chimneys and connection pipes, *see pages 58-64*

### Technical data for Lilian

Height	2350 mm
Width	860 mm
Depth	700 mm
Weight	1050 kg
Output	1-10 kW
Connection pipes	$\varnothing$ 150 mm
Wood length	35 cm
Environmentally approved	0109/95

*Other technical info on page 72*



# Classic tiled stove in a new design

## CARL PHILIP



### Stylish and classic

The straight and simple design of Carl Philip is inspired by the original tiled stove models from the 1700s. This functional design has become a popular classic suitable for almost any furnishing style or environment. Carl Philip is supplied as a DIY kit and, with a protective plate at the rear (optional extra), can be positioned 5 cm from a flammable wall. The tiled stove is available in two heights, see below. The tiles on the crown and cornice are platinum coated and therefore nickel coloured.

### Optional extras

Floor plate in stainless steel 740x430 mm:

Outdoor air connection  $\varnothing$  100 mm: see page 56

Fan:

Protective plate rear:

Height extension tiles 290 mm:

Chimneys and connection flues, see pages 58-64

### Technical data for Carl Philip

Height standard/low	2350/2060 mm
Width	810 mm
Depth	610 mm
Weight	950 kg
Output	1-10 kW
Connection pipes	$\varnothing$ 150 mm
Wood length	35 cm
Environmentally approved	0109/95

Other technical info on page 72







### Stylish and classical

The straight and simple design of Gustaf is inspired by the original tiled stove models from the 1700s. This functional design has become a popular classic suitable for almost any furnishing style or environment. Gustaf is supplied as a DIY kit and, with a protective plate at the rear (optional extra), can be positioned 5 cm from a flammable wall. The tiled stove is available in two heights, see below.



#### Optional extras

Floor plate black 740x430 mm:

Floor plate in brass/stainless steel 740x430 mm:

Outdoor air connection  $\varnothing$  100 mm: *see page 56*

Fan:

Protective plate to rear:

Height extension tiles 290 mm:

Chimneys and connection pipes, *see pages 58-64*

#### Technical data for Gustaf

Height standard/lowered	2350/2060 mm
Width	810 mm
Depth	610 mm
Weight	950 kg
Output	1-10 kW
Connection pipes	$\varnothing$ 150 mm
Wood length	35 cm
Environmentally approved	0109/95

*Other technical info on page 72*

# Impressive and sleek column tiled stove



## Eye-catching room feature

This column tiled stove, with a broader base, is particularly suitable for large rooms and those with a high ceiling. The wide shelf offers a practical storage space or a display spot for ornaments. Viktoria is supplied as a DIY kit and, with a protective plate at the rear (optional extra), can be positioned 5 cm from a flammable wall. The tiled stove is available in two heights, see below.

### Optional extras

Floor plate black 740x430 mm:

Floor plate in brass/stainless steel 740x430 mm:

Outdoor air connection  $\varnothing$  100 mm: *see page 56*

Fan:

Protective plate to rear:

Height extension tiles, plain 290 mm:

Chimneys and connection pipes, *see pages 58-64*

### Technical data for Viktoria

Height standard/lowered	2350/2060 mm
Width	1010 mm
Depth	610 mm
Weight	1160 kg
Output	1-10 kW
Connection pipes	$\varnothing$ 150 mm
Wood length	35 cm
Environmentally approved	0109/95

*Other technical info on page 73*



### Attractive eye-catcher

Embossed decoration featuring flowers and leaves was typical of the period between the 1800s and 1900s. The oak leaves on the moulded handmade tiles give Katarina a romantic, old-world charm. Katarina is supplied as a DIY kit and, with a protective plate at the rear (optional extra), can be positioned 5 cm from a flammable wall. The tiled stove is available in two heights, see below.



### Optional extras

Floor plate black 740x430 mm:

Floor plate in brass/stainless steel 740x430 mm:

Outdoor air connection  $\varnothing$  100 mm: *see page 56*

Fan:

Protective plate to rear:

Height extension tiles, plain 290 mm:

Height extension tiles, embossed detail 290 mm:

Chimneys and connection pipes, *see pages 58-64*

### Technical data for Katarina

Height standard/lowered	2365/2075 mm
Width	810 mm
Depth	610 mm
Weight	950 kg
Output	1-10 kW
Connection pipes	$\varnothing$ 150 mm
Wood length	35 cm
Environmentally approved	0109/95

*Other technical info on page 73*

# Gorgeous column tiled stove with embossed detail

Tiled stoves

MADELEINE



## Inspiration from the Empire style

This gorgeous column tiled stove, with a broader base, is particularly suitable for large rooms and those with a high ceiling. The design is reminiscent of the Empire style from the 1800s. Madeleine is supplied as a DIY kit and, with a protective plate at the rear (optional extra), can be positioned 5 cm from a flammable wall. The tiled stove is available in two heights, see below.



### Optional extras

Floor plate black 740x430 mm:

Floor plate in brass/stainless steel 740x430 mm:

Outdoor air connection  $\varnothing$  100 mm: *see page 56*

Fan:

Protective plate to rear:

Height extension tiles, plain 290 mm:

Height extension tiles, embossed detail 290 mm:

Chimneys and connection pipes, *see pages 58-64*

### Technical data for Madeleine

Height standard/lowered 2365/2075 mm

Width 1010 mm

Depth 610 mm

Weight 1160 kg

Output 1-10 kW

Connection pipes  $\varnothing$  150 mm

Wood length 35 cm

Environmentally approved 0109/95

*Other technical info on page 73*



### Tiled stove with plaster surface

This ceramic stove with its rustic plaster surface is a highly-economical alternative to a tiled stove. It offers the same technical heating functions as its tiled counterparts, but the price level is comparable with masonry stoves. The straight ceramic stove became common in the 1700s. The accompanying decorative niche above the shelf set gives the stove a more traditional look, while without the decorative niche the style is more modern. Karl is supplied as a DIY kit and, with a protective plate at the rear (optional extra), can be positioned 5 cm from a flammable wall. The ceramic stove is available in two heights, see below.



### Optional extras

Floor plate black 740x430 mm:

Floor plate in brass/stainless steel 740x430 mm:

Outdoor air connection  $\varnothing$  100 mm: *see page 56*

Fan:

Protective plate to rear:

Height extension 290 mm:

Chimneys and connection pipes, *see pages 58-64*

### Technical data for Karl

Height standard/lowered	2350/2060 mm
Width	810 mm
Depth	610 mm
Weight	850 kg
Output	1-10 kW
Connection pipes	$\varnothing$ 150 mm
Wood length	35 cm
Environmentally approved	0109/95

*Other technical info on page 73*



# Traditional and rustic column ceramic stove



## Economical choice

This column ceramic stove with its rustic plaster surface offers the same technical heating functions as its tiled counterparts, but the price level is comparable to the masonry stoves. The widened lower base section gives Kristina the shape of a column stove, making it particularly good for slightly larger rooms. The accompanying decorative niche above the shelf set gives the stove a more traditional look, while without the decorative niche the style is more modern. Kristina is supplied as a DIY kit and, with a protective plate at the rear (optional extra), can be positioned 5 cm from a flammable wall. The ceramic stove is available in two heights, see below.

### Optional extras

Floor plate black 740x430 mm:

Floor plate in brass/stainless steel 740x430 mm:

Outdoor air connection  $\varnothing$  100 mm: *see page 56*

Fan:

Protective plate to rear:

Height extension 290 mm:

Chimneys and connection pipes, *see pages 58-64*

### Technical data for Kristina

Height standard/lowered	2350/2060 mm
Width	1010 mm
Depth	610 mm
Weight	1000 kg
Output	1-10 kW
Connection pipes	$\varnothing$ 150 mm
Wood length	35 cm
Environmentally approved	0109/95

*Other technical info on page 74*



# STOVE UNITS/ STOVE INSERTS

## EFFICIENT HEAT WITH A CAMINA STOVE INSERT

Combustion chambers inserted into open fireplaces are known as stove units while combustion chambers inserted into masonry surrounds are known as inserts. A combustion chamber controls combustion so that the desired output is achieved and ensures that the emissions from flue gases are as clean as possible. An efficient combustion chamber gives extremely hot combustion that burns the flue gases and makes lighting easy. In addition, you help protect the environment and the chimney and save fuel.

All our stove units and inserts are tested and approved according to The Swedish National Board of Housing, Building and Planning regulations. Note that recesses and/or masonry surrounds with connection to existing or new chimneys must always be approved by a chimney sweep.

It is possible to connect outdoor air for combustion for Camina 4000 and Camina 600BK inserts so that the insert works optimally depending on the vacuum in the house. Wärmo is a stove unit especially developed for existing open fireplaces and comes with a powerful convection fan as standard.

# Sleek stove units and inserts

## THE CAMINA 4000 RANGE

### An environmentally-sound option

The Camina 4000 range is a modern firebox in a stylish design featuring high-tech construction. The vermiculite in the firebox reflects the heat radiation, makes the combustion process highly efficient and improves the level of efficiency. This lining helps to reduce carbon deposits and makes the flue gases cleaner. The product is available in 2 models, the Camina 4000i, as a stove insert to be recessed as you choose, or the Camina 4000k, as a stove unit to be installed in an open fireplace! In addition, the front opening is available with a two-panel window or a full panorama window, see pictures below. Camina 4000 is made of cast iron, it is also possible to add an outdoor air connection. The insert has pre-heated primary and secondary air.



Camina 4000i, insert with panorama opening

#### Optional extras

Grille kit:

Outdoor air connection  $\varnothing$  100 mm: *see page 56*

Ash tray solution:

Rearward connection through wall, 45°:

Rearward connection through wall, 90°:

Chimneys and connection pipes, *see pages 58-64*

Floor protector, *see page 57*

#### Technical data for Camina 4000i/4000k

Height standard	See page 74
Width	525 mm
Depth	500/486 mm
Weight	110 kg
Output	1-8 kW
Nominal output	4.7 kW
Connection pipes	$\varnothing$ 150 mm
Wood length	35 cm
Environmentally approved	0195/07

*Other technical info on page 74*



Camina 4000k, stove unit with double doors

**Efficient& flexible**

Camina 600 BK is an efficient and attractive insert that is popular for use when building fireplaces. It has three windows that provide attractive light distribution. The insert has a cast-iron base, fall protection device, dump grate and ash tray as well as insulating vermiculite for more efficient combustion. The insert is prepared for an outdoor air connection and a fan. Always contact an authorised chimney sweep for advice before installing a stove insert and surround.

**Optional extras**

Outdoor air connection  $\varnothing$  100 mm: *see page 56*

Fan:

Extra glass side panels for corner positioning:

Rearward connection through wall, 90°:

Chimneys and connection pipes, *see pages 58-64*

Floor protector, *see page 57*

**Technical data for Camina 600 BK**

Height standard	1886 mm
Width	580 mm
Depth	579 mm
Weight	105 kg
Output	4-7 kW
Connection pipes	$\varnothing$ 150 mm
Wood length	35 cm
P-marked	395301

*Other technical info on page 74*





### Stove unit with integral fan

A Wärmo stove unit can transform your open fireplace into an efficient heat source as well as a cosy focus in your home. Using much less wood than before, you will get even more heat and a fire that burns longer.

Wärmo stove units are very simple to install. The unit is installed and sealed all around with cover plates and rock wool, so there is no need for any form of preliminary work in the open fireplace. It is not even necessary to install a grille in the hood. The heat circulates inside the unit and is released through the front grille.

It can be a good idea to install a fan to assist heat circulation, as this is the best way to spread the heat and it also provides much faster heat distribution when you first light the fire. All Wärmo stove units have a built-in fan.



### Optional extras

Cover plate set, Straight:

Cover plate set, Corner:

Cover plate set, Exclusive:

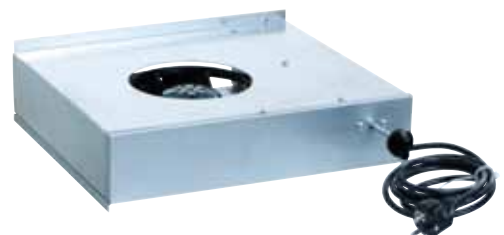
Soapstone for the firebox:

Cover for connection to Connection pipe  $\varnothing$  150 mm:  
Straight, Corner and Exclusive.

Chimneys and connection pipes, *see pages 58-64*



**NB! Built-in fan included on all models.**



# No pipe connection needed

# CAMINA WÄRMO

## Technical data for Wärmö Square

Height standard	545 mm
Height with cover plates	750 mm
Width (front edge)	610 mm
Width with cover plates	890 mm
Depth	485 mm
Weight with vermiculite	70 kg
Weight with soapstone	105 kg
Output	3-8 kW
Wood length	35 cm
Environmentally approved	6636/85

*Other technical data and cover plates on page 75*



## Technical data for Wärmö Corner

Height standard	535 mm, with strip 565 mm
Height with cover plates	760 mm
Width	565 mm
Depth	565 mm
Weight with vermiculite	90 kg
Weight with soapstone	120 kg
Output	3-9 kW
Wood length	35 cm
Environmentally approved	6636/85

*Other technical data and cover plates on page 75*



## Technical data for Wärmö Exclusive low/high

Height standard	610/705 mm
Height standard with strip	630/725 mm
Height with cover plates	805/900 mm
Width (front edge)	775 mm
Width with cover plates	1000 mm
Depth	550 mm
Weight with vermiculite	100/105 kg
Weight with soapstone	135/140 kg
Output	3-10 kW
Wood length	35 cm
Environmentally approved	6636/85

*Other technical data and cover plates on page 75*





Cast-iron log box  
Dimensions in cm: H=550, W=705, D=405



Log basket



Fireproof leather gloves



Cast-iron humidifier  
Available in: black paint or enamel.



Magnetic thermometer



Fireguard for children, 3 sides  
Dimensions in cm: H=775, W=765, D=675



Fan for the Art range



Fan Camina 200/300



Fan Camina 600-800



Fan Tiled ovens



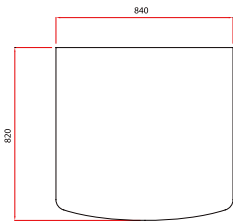
Outdoor air connection. ø 55 mm



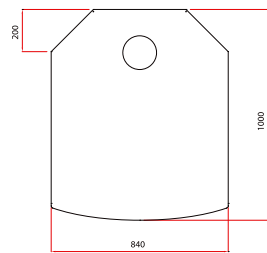
Outdoor air connection. ø 100 mm



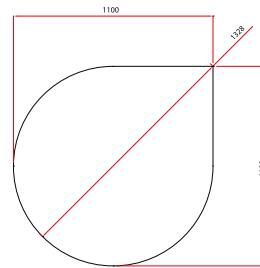
Floor protection & floor plates



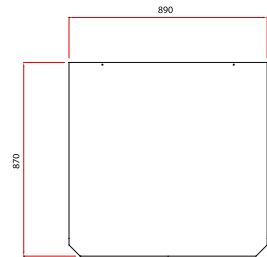
MC041 black



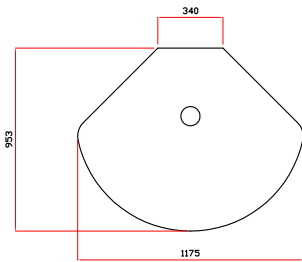
C200-020 grey  
C200-019 black



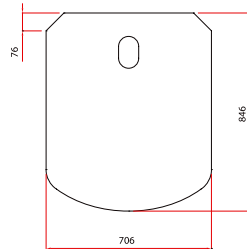
CD250-201 glass  
CD250-203 grey  
CD250-205 black



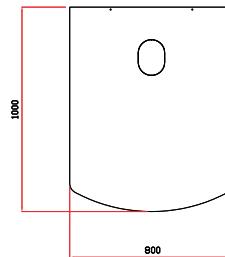
MD033 black



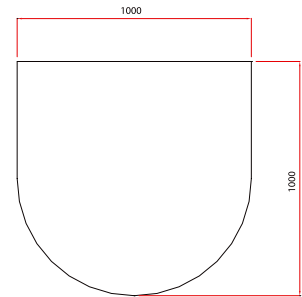
C1076-090 black  
C1076-091 grey  
C1076-092 glass



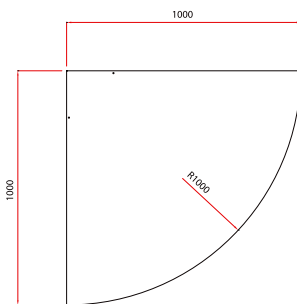
C1010-099 black  
C1010-009 grey  
C1010-008 glass



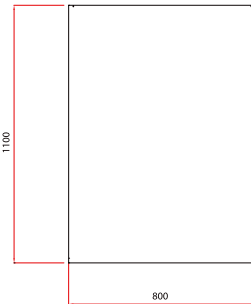
MD034 black  
MD045 glass



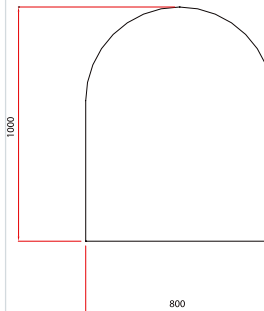
CD250-200 glass



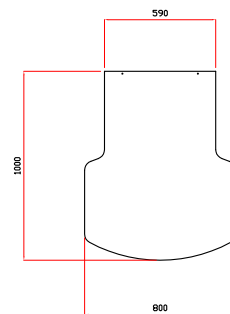
MD023 black



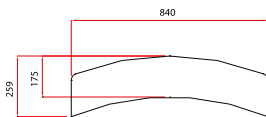
D750-002 black



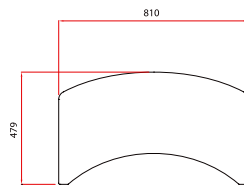
CD250-202 grey



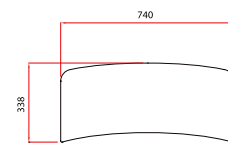
2202-01 black  
2202-02 glass



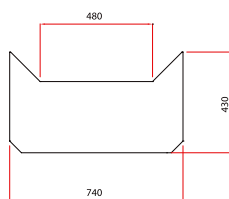
MC145 marble  
MC146 black



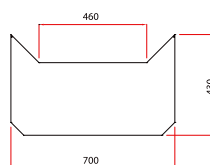
MC005 marble



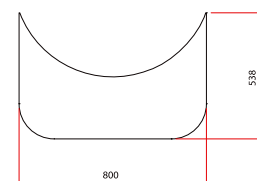
MC029 marble



K2653 black  
K2588 brass  
K2651 stainless steel



K2590 black  
K2654 brass  
K2655 stainless steel



K2589 brass  
K2652 stainless steel

## Permeter steel chimney flue



### Permeter, steel chimney flue as metre goods

Permeter is a high quality product, specially developed and intended for wood fired fireboxes such as stoves, wood boilers and sauna units. The chimney flue consists of an inner pipe, insulation and an outer pipe.

Unlike many other chimney manufacturers, Permeter has an inner pipe that absorbs its own thermal expansion when heated. An inner pipe, which is exposed to temperatures of several hundred degrees when firing, can expand by several centimetres and if they are fixed solidly in each other the chimney sections can be pushed/expand apart where there are bends installed, which can lead to a major fire risk.

Normally a chimney is **semi insulated** (25 mm insulation around the inner pipe) in the room where the stove is located. Before the chimney goes through the roof a transition piece is used and from then on there is full insulation to the top. This means that there is 50 mm insulation around the inner pipe.

A **fully insulated** chimney gives better fire safety and one does not need to place the chimney in a shaft (a fire protected space).

**The inner pipe** is made of 0.6 mm stainless steel.

**The insulation** is super wool, which is the best on the market. It does not sinter (melt together) in event of a chimney fire for example, which gives increased safety.

**The outer pipe** is made of powder-coated, galvanised steel plate. Each module is sealed using silicon in the outer pipe and a locking strap.

**Standard colours** are black and grey, but many other colours are available at a price premium of an additional 25%.

Permeter is of course **CE-marked**.

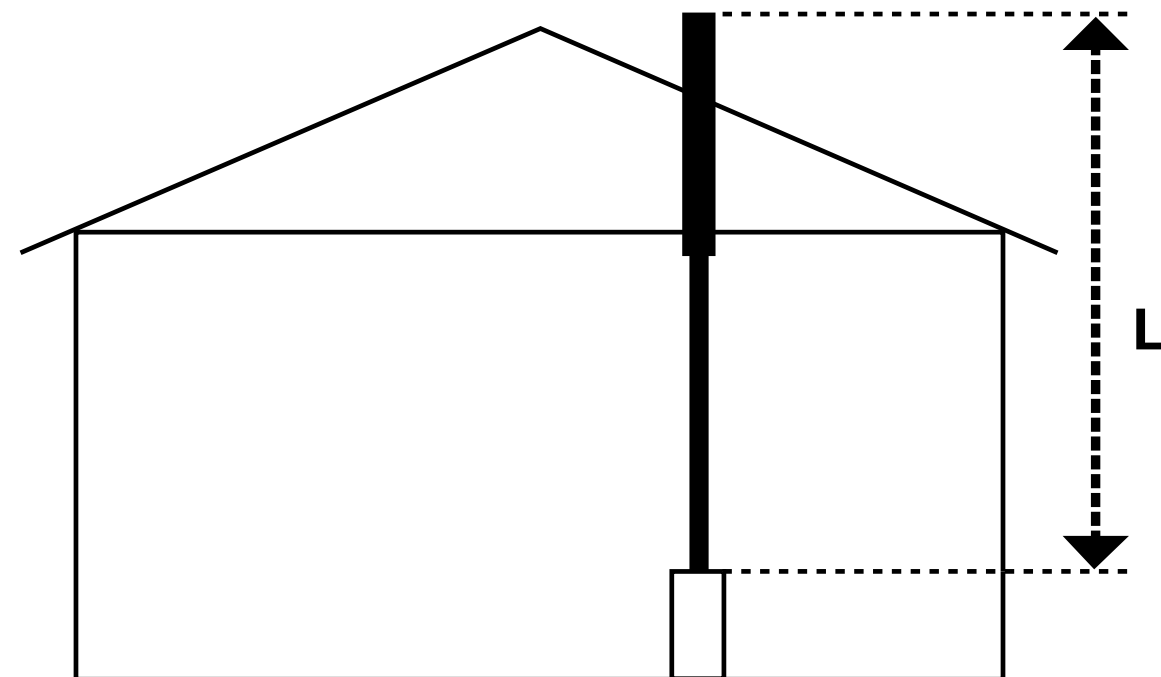
Schiedel is Europe's largest chimney manufacturer and has manufactured chimneys for the Swedish market for more than 60 years.





## The kit contains:

	Length (L) M
Connector Camina	3,34
Chimney length 1000 mm (955 mm), 25 mm insulation black/grey	3,79
Chimney length 205 mm, 25 mm insulation black/grey	4,29
Transition piece 25-50 black/grey 220 mm (175 mm)	4,75
Cover plate round black/grey	5,25
Chimney length 955 mm, 50 mm insulation black/grey	5,70
Chimney length 455 mm, 50 mm insulation black/grey	6,20
Chimney length 205 mm, 50 mm insulation black/grey	6,66
Sealing compound	7,16
Fire cement	7,61
Do not forget to add the cow!	8,11
We also supply block chimneys.	8,57
	9,07














The chimney's length is based on the distance between the top of the firebox and the top of the chimney. This measurement is designated as **L**.

# OPTIONS LIST

To change colour of the chimney, adjust the last digit in the part number as follows: grey (2), white (3)

For items with dimensions 130 mm and 200 mm, replace "15" with "13" and "20" respectively. E.g. 972097151 becomes 972097131



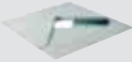

\* Will expire in Autumn 2012

Extras	PART NO.	DESIGNATION
	971095150	CONNECTOR Camina
	970000500	CONNECTOR special, adapted diameter, order goods
	976094151	STOVE CONNECTION PLAIN 25 mm insulation
	977094151	STOVE CONNECTION PLAIN 50 mm insulation
	971097151	COVER SWEEP 25 mm insulation. Black/grey/white
	972097151	TCOVER SWEEP 50 mm insulation. Black/grey/white
	971009151*	CHIMNEY LENGTH 1000 mm (955 mm) 25 mm insulation. Black/grey/white
	971011151*	CHIMNEY LENGTH 500 mm (455 mm) 25 mm insulation. Black/grey/white
	971012151*	CHIMNEY LENGTH 250 mm (205 mm) 25 mm insulation. Black/grey/white
	972009151*	CHIMNEY LENGTH 1000 mm (955 mm) 50 mm insulation. Black/grey/white
	972011151*	CHIMNEY LENGTH 500 mm (455 mm) 50 mm insulation. Black/grey/white
	972012151*	CHIMNEY LENGTH 250 mm (205 mm) 50 mm insulation. Black/grey/white
	972023151*	TRANSITION PIECE 25-50 Black/grey/white 220 mm (175 mm)
	971528151	COVER FOR FEMALE ELEMENT 25 mm insulation. Black/grey/white
	972528151	COVER FOR FEMALE ELEMENT 50 mm insulation. Black/grey/white
	971086151*	LOCKING STRAP NARROW 57 mm 25 mm insulation. Black/grey/white
	971086201*	LOCKING STRAP NARROW 57 mm 50 mm insulation. Black/grey/white
	971087151*	LOCKING STRAP WIDE 108 mm 25 mm insulation. Black/grey/white
	972087151*	LOCKING STRAP WIDE 108 mm 50 mm insulation. Black/grey/white
	976087151	LOCKING STRAP WIDE TO PERMETER PLAIN 25 mm insulation. Black/grey/white
	977087151	LOCKING STRAP WIDE TO PERMETER PLAIN 50 mm insulation. Black/grey/white
	976009151	PERMETER PLAIN, without locking strap PMS25 Length 955 mm. Black/grey/white
	976011151	PERMETER PLAIN, without locking strap PMS25 Length 455 mm. Black/grey/white
	976012151	PERMETER PLAIN, without locking strap PMS25 Length 205 mm. Black/grey/white
	976023151	PERMETER TRANSITION PIECE PMS25 CONICAL 25-50 Black/grey/white
	977009151	PERMETER PLAIN, without locking strap PMS50 Length 955 mm. Black/grey/white
	977011151	PERMETER PLAIN, without locking strap PMS50 Length 455 mm. Black/grey/white
	977012151	PERMETER PLAIN, without locking strap PMS50 Length 205 mm. Black/grey/white

To change colour of the chimney, adjust the last digit in the part number as follows: grey (2), white (3)

# OPTIONS LIST

For items with dimensions 130 mm and 200 mm, replace "15" with "13" and "20" respectively. E.g. 972097151 becomes 972097131











Extras	PART NO.	DESIGNATION
	970222000	SEALING COMPOUND
	970321000	FIRE CEMENT
	972520151	COVER PLATE round 0°. Black/grey/white
	972538151	COVER PLATE split ceiling 0–5°. Black/grey/white
	972532151	COVER PLATE split ceiling 5–20°. Black/grey/white
	972534151	COVER PLATE split ceiling 20–35°. Black/grey/white
	972537151	COVER PLATE split ceiling 35–45°. Black/grey/white
	971021151	SQUARE COWL ROOF DROP 1000 mm/2100 mm, 10–45°. Black
	970012151	SQUARE COWL RIDGE 1000 mm/2100 mm, 10–45°. Black
	976074151	RAIN CAP 25 mm Insulation. Black
	977074151	RAIN CAP 50 mm Insulation. Black
	960006150	ROOF LOWER FITTING 0-45 Degrees ø100-150. Black
	960064000	ROOF LOWER FITTING 0-45 Degrees ø180-350. Black
	970007230	ROOF UPPER FITTING 0-7° 230MM FORMB. Black
	970007255	ROOF UPPER FITTING 0-7° 255 mm FORMB. Black
	970007355	ROOF UPPER FITTING 0-7° 355 mm FORMB. Black
	970132231	ROOF UPPER FITTING 10-32° 230 mm FORMB. Black
	970132251	ROOF UPPER FITTING 10-32° 255 mm FORMB. Black
	970132311	ROOF UPPER FITTING 10-32° 315 mm FORMB. Black
	970345231	ROOF UPPER FITTING 33-45° 230 mm FORM M R-K. Black
	970345251	ROOF UPPER FITTING 33-45° 255 mm FORM M R-K. Black
	970345311	ROOF UPPER FITTING 33-45° 315 mm FORM M R-K. Black
	971065151 972065151	WALL ANCHORAGE (Adjustable 70–110 mm). Black/grey/white

# OPTIONS LIST

To change colour of the chimney, adjust the last digit in the part number as follows: grey (2), white (3)

For items with dimensions 130 mm and 200 mm, replace "15" with "13" and "20" respectively. E.g. 972097151 becomes 972097131

\* Will expire in Autumn 2012









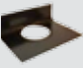
Extra	PART NO.	DESIGNATION
	952500158	COMBI LADDER. Galvanized
	952500151	COMBI LADDER. Black
	952500154	COMBI LADDER. Red
	952500208	ROOF LADDER 2-HOOD CONCRETE. Galvanized
	952500201	ROOF LADDER 2-HOOD CONCRETE. Black
	952500204	ROOF LADDER 2-HOOD CONCRETE. Red
	952701018	SLIP PROTECTION LADDER incl. screw. Galvanized
	952701011	SLIP PROTECTION LADDER incl. screw. Black
	952701014	SLIP PROTECTION LADDER incl. screw. Red
	990707001	PLATFORM FOR SQUARE COWL. Black
	971042151*	L-PIPE 25 mm insulation. Black/grey/white
	972042151*	L-PIPE 50 mm insulation. Black/grey/white
	976042151	PERMETER PLAIN without locking strap L-PIPE 25 mm insulation. Black/grey/white
	977042151	PERMETER PLAIN without locking strap L-PIPE 50 mm insulation. Black/grey/white
	971045151*	45° BEND 25 mm insulation Black/grey/white
	972045151*	45° BEND 50 mm insulation Black/grey/white
	976045151	PERMETER PLAIN, without locking strap PMS25 45° BEND, Black/grey/white Bends are also available in 15°, 30°, 52° and 63°
	977045151	PERMETER PLAIN, without locking strap PMS50 45° BEND, Black/grey/white Bends are also available in 15°, 30°, 52° and 63°
	976099151	PERMETER PLAIN, without locking strap PMS25 90° BEND WITH SOOT HATCH Black/grey/white
	977099151	PERMETER PLAIN, without locking strap PMS50 90° BEND WITH SOOT HATCH Black/grey/white
	971013151*	INSPECTION LENGTH 455 MM 25 mm Insulation. Black/grey/white
	972013151*	INSPECTION LENGTH 455 mm 50 mm Insulation. Black/grey/white

To change colour of the chimney, adjust the last digit in the part number as follows: grey (2), white (3)

# OPTIONS LIST

For items with dimensions 130 mm and 200 mm, replace "15" with "13" and "20" respectively. E.g. 972097151 becomes 972097131

\* Will expire in Autumn 2012

Extra	PART NO.	DESIGNATION
	976013151	PERMETER PLAIN, without locking strap PMS25 INSPECTION LENGTH 455 mm Black/grey/white
	977013151	PERMETER PLAIN, without locking strap PMS50 INSPECTION LENGTH 455 mm Black/grey/white
	972043151*	T-PIPE 90°, 50 mm insulation. Black/grey/white
	977043151	PERMETER PLAIN, without locking strap PMS50 T-PIPE 90°, Black/grey/white
	972091151*	COVER FOR T-PIPE 50 mm insulation. Black/grey/white
	977091151	PERMETER PLAIN, without locking strap PMS50 COVER FOR T-PIPE, Black/grey/white
	972541151*	FOUNDATION PLATE 50 mm insulation. Black/grey/white
	977541151	PERMETER PLAIN, without locking strap PMS50 FOUNDATION PLATE
	972998151	WALL BRACKET FOR FOUNDATION PLATE Fits to 130, 150 and 200 dim Black/grey/white
	972092151	ATTACHMENT FOR WIRE SUPPORT
	970410000	KIT FOR TELESCOPIC ROOF COWL 1 200-2 200 mm
	971350150	FOR LOOSER WOOL FLOORING INTERNAL BOWL PIPE INSULATION
	971360150	FOR LOOSER WOOL FLOORING EXTERNAL PIPE BOWL INSULATION
	960550000	INSULATING SHEET FOR PASSAGE 1 200x2 200 mm
	960570000	PASSAGE CROSSBAR 1 250 mm
	970580361	DIFFUSION BARRIER 490 X 490 mm Int Ø 210 mm

Extras	DESIGNATION	Ø 125 MM BLACK PART NO.	Ø 150 MM BLACK PART NO.	Ø 150 MM GREY PART NO.
	Straight pipe, L=155 mm. Uninsulated	NL124	NL150	NL150G
	Straight pipe, L=235 mm. Uninsulated	NL125	NL151	NL151G
	Straight pipe, L=310 mm. Uninsulated	NL185	NL152	
	Straight pipe, L=500 mm. Uninsulated	NL126	NL153	NL153G
	Straight pipe, L=1000 mm. Uninsulated	NL127	NL154	NL154G
	Connection pipe with damper L=300 mm. Uninsulated	NL132		
	Connection pipe with damper L=500 mm. Uninsulated	NL133		
	1x45° bend. Uninsulated	NL129	NL156	
	1 x 45° bend with soot hatch. Uninsulated	NL128	NL155	NL155G
	2 x 45° bend with soot hatch. Uninsulated	NL130	NL157	NL157G
	1 x 90° bend with soot hatch. Uninsulated	NL131	NL158	
	Connection pipe rosette	NL134	NL164	NL164G
	Recessing connector straight 90°	NL135	NL159	
	Recessing connector 45°	NL136	NL161	
	Fixing connector		NL162	
	Pipe S-bend. Uninsulated		NL163	
	Transition piece for Vermont stoves. Uninsulated		NL190	



# ORDER DOCUMENTATION

**Distributor**

**Customer/At direct delivery**

Orderer .....	Name .....
Contact person .....	Address .....
Telephone .....	Town .....
Order type .....	Telephone/Mobile phone .....

**Firebox – model**

Connector - diameter (if firebox unknown)      **Internal**..... mm      **External** ..... mm

**Chimney – insulation thickness**

<input type="checkbox"/> <b>Perimeter 25</b> shaft mounted (shaft free at max 200°C)	<input type="checkbox"/> <b>Perimeter 25/50</b> shaft-free 25 mm insulation floor 1	<input type="checkbox"/> <b>Perimeter 50</b> shaft-free
--	---	--

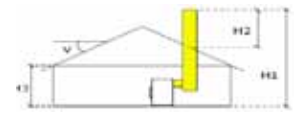
**Colour**       **Black**       **Grey**       **Other**

**Connection**

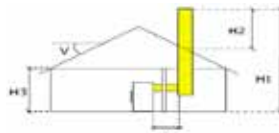
H1 (tot height) .....mm  
 H2 (above roof).....mm  
 H3 (ceiling).....mm  
 A (horizontal length).....mm  
 V (roof angle) .....°  
 Angle ceiling .....°  
 Visible chimney.....floors



**Top-connected**



**Rear connected (internal)**



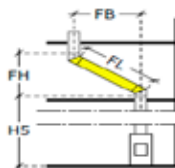
**Rear connected (through interior wall)**



**Rear connected (external)**

**Offset**

H5 (height to start of offset) .....mm  
 FH (desired height of offset).....mm  
 FB (desired width of offset).....mm  
 FL (desired length of offset) .....mm



**Offset in the room**  
 **Offset in rooms with pitched ceilings**

Angle of offset.....°

**Other options**

**Above the roof**

Square cowl (standard)  
 Roof drop (standard)  
 Ladder/platform

Round chimney (optional extra)  
 Ridge (optional extra – only with square cowl)  
 Inspection length (only with round chimney)

**Internal**

Roof ceiling panel (standard)  
 Damper

Spilt square ceiling panel (option)  
 Uninsulated starter pipe (only with Perimeter 50)

**Miscellaneous**

.....  
 .....  
 .....  
 .....



Fire barrier required. See installation instructions for material and dimensions. A fire barrier can be purchased inexpensively from your nearest DIY store.



The product is suitable for a fan. Fans are available as an optional extra.



The product has undergone a higher level of quality and environmental testing at SP Technical Research Institute of Sweden. This places greater demands on efficiency and environmental impact.



Special regulations for flammable material are applicable to this product. See installation instructions for distances.



The product is suitable for connection to outdoor air. Adapters may in some cases, be required for outdoor air connection.



The product meets all the EU's relevant environmental, health and safety requirements.



The product can be built into a wall. Design your own surround for your stove insert or construct your own masonry base and hood for your kitchen stove.



Chimney-free stove which is fired by Karneval stove fuel/BioEthanol.



This product is made in Sweden.



This stove unit is for installation in an existing open fireplace.



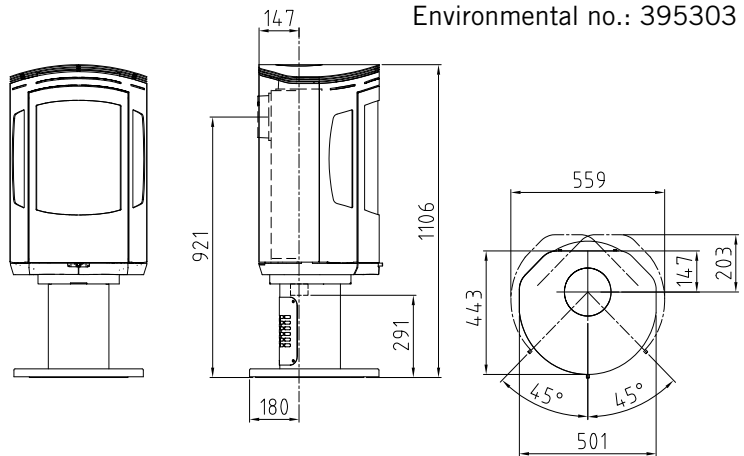
The product has undergone a high level of quality and environmental testing at SP Technical Research Institute of Sweden. This places great demands on efficiency and environmental impact.

## CAMINA ART MILOU

Environmental no.: 395303



The stove chimney can be connected at the top and at the rear with locked rotation. No fire barrier is required, but the safety distance for flammable material is: side 500 mm, rear 100 mm at fixed position and 210 mm in rotating position. Front distance 1000 mm. When installing the stove in a corner, the corners of the stove must be at least 150 mm from flammable walls and rotation must be locked. For additional technical information, see the installation instructions on the website.

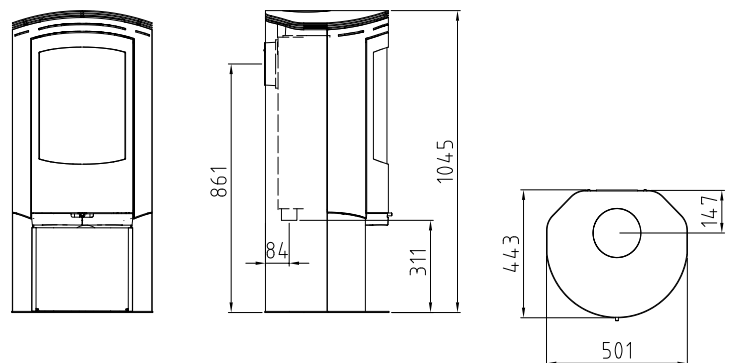


## CAMINA ART JULIE

Environmental no.: 395303



The stove can be connected at the top and rear. No fire barrier is required, but the safety distance for flammable material is: side 500 mm, to rear 100 mm and to the front 1000 mm. When installing the stove in a corner, the corners of the stove must be at least 150 mm from flammable walls. For additional technical information, see the installation instructions on the website.

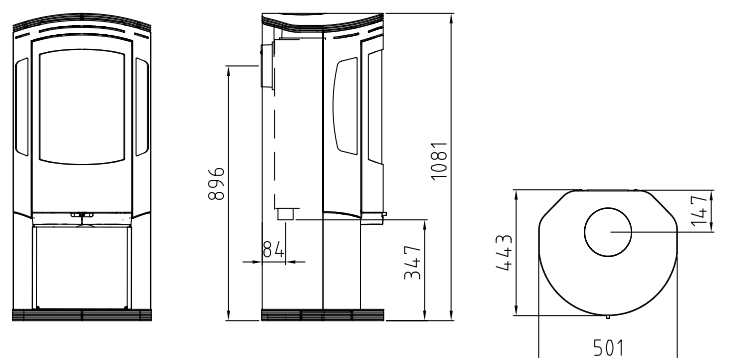


## CAMINA ART XAVIER

Environmental no.: 395303



Kaminen går att topp- och bakansluta. Ingen brandvägg krävs men säkerhetsavståndet till brännbart material är: sida 500 mm, bakåt 100 mm och framåt 1000 mm. Vid hörnplacering ska hörnen på kaminen vara minst 150 mm från brännbar vägg. För mer teknisk information se montageanvisningen på hemsidan.

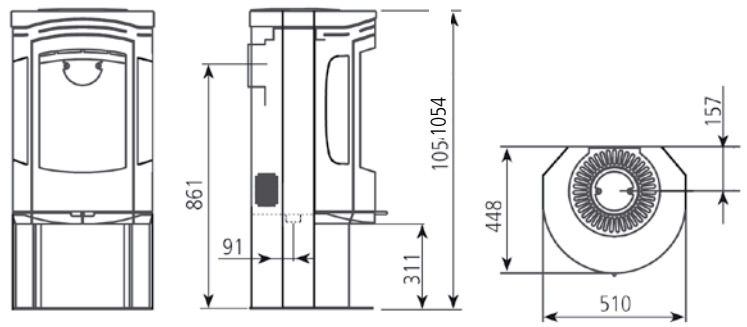


## CAMINA ART SUPRÊME

Environmental no.: 395303



The stove can be connected at the top and rear. No fire barrier is required, but the safety distance for flammable material is: side 500 mm, to rear 100 mm and to the front 1000 mm. When installing the stove in a corner, the corners of the stove must be at least 150 mm from flammable walls. For additional technical information, see the installation instructions on the website.

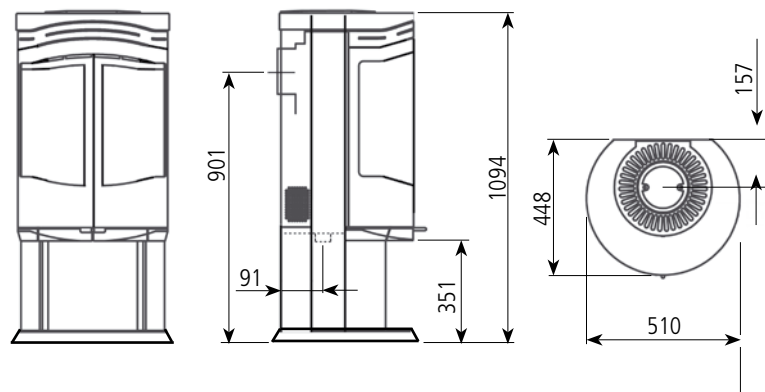


## CAMINA ART MYSTICA

Environmental no.: 395303



The stove can be connected at the top and rear. No fire barrier is required, but the safety distance for flammable material is: side 500 mm, to rear 100 mm and to the front 1000 mm. When installing the stove in a corner, the corners of the stove must be at least 150 mm from flammable walls. The stove can be supplemented with a soapstone base that replaces the cast iron base. Connection height is then reduced by 20 mm. For additional technical information, see the installation instructions on the website.

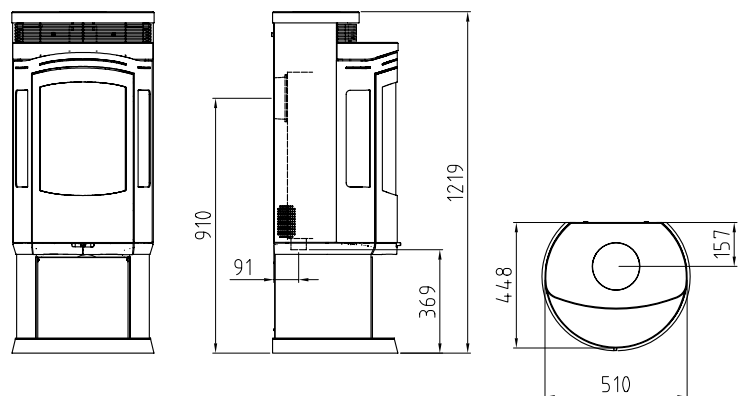


## CAMINA ART ETAGE

Environmental no.: 395303



The stove can be connected at the top and rear. No fire barrier is required, but the safety distance for flammable material is: side 500 mm, to rear 100 mm and to the front 1000 mm. When installing the stove in a corner, the corners of the stove must be at least 150 mm from flammable walls. The stove can be supplemented with a soapstone base that replaces the cast iron base. Connection height is then reduced by 20 mm. For additional technical information, see the installation instructions on the website.

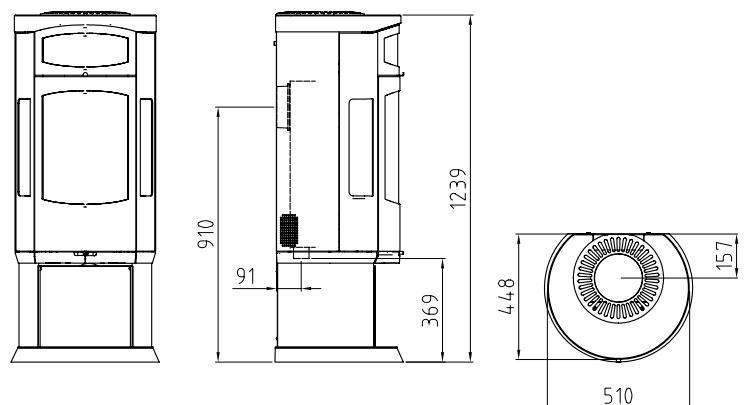


## CAMINA ART GRACE

Environmental no.: 395303



The stove can be connected at the top and rear. No fire barrier is required, but the safety distance for flammable material is: side 500 mm, to rear 100 mm and to the front 1000 mm. When installing the stove in a corner, the corners of the stove must be at least 150 mm from flammable walls. The stove can be supplemented with a soapstone base that replaces the cast iron base. Connection height is then reduced by 20 mm. For additional technical information, see the installation instructions on the website.

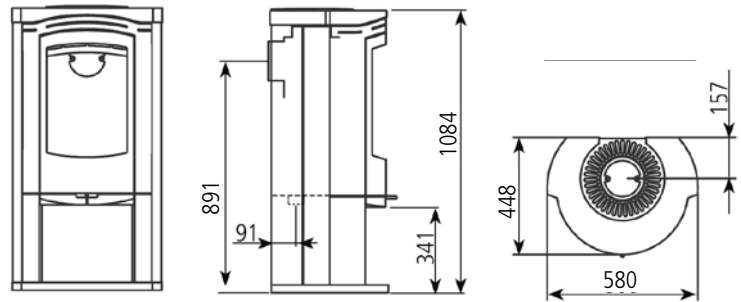


## CAMINA ART PIERRE

Environmental no.: 395303



The stove can be connected at the top and rear. No fire barrier is required, but the safety distance for flammable material is: side 500 mm, to rear 100 mm and to the front 1000 mm. When installing the stove in a corner, the corners of the stove must be at least 150mm from flammable walls. The height of the stones can vary. Adjust the height as necessary during assembly. For additional technical information, see the installation instructions on the website.

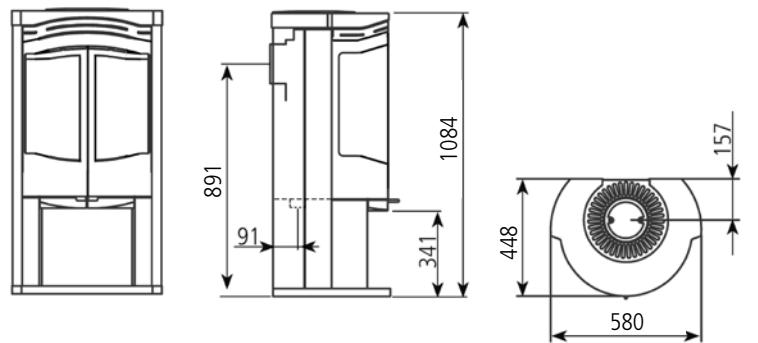


## CAMINA ART SAHARA

Environmental no.: 395303



The stove can be connected at the top and rear. No fire barrier is required, but the safety distance for flammable material is: side 500 mm, to rear 100 mm and to the front 1000 mm. When installing the stove in a corner, the corners of the stove must be at least 150 mm from flammable walls. The height of the stones can vary. Adjust the height as necessary during assembly. For additional technical information, see the installation instructions on the website.

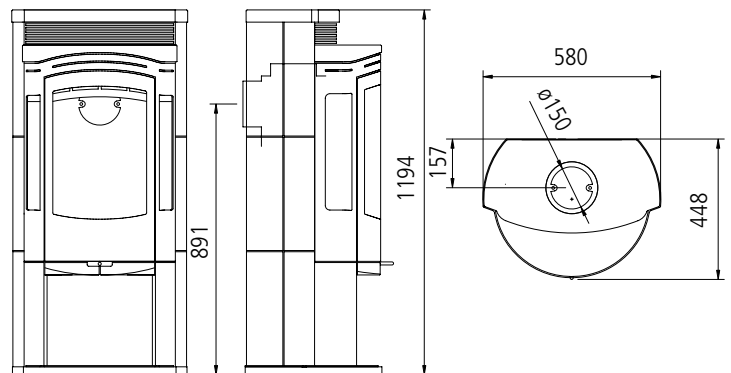


## CAMINA ART MODERNE

Environmental no.: 395303



The stove can be connected at the top and rear. No fire barrier is required, but the safety distance for flammable material is: side 500 mm, to rear 100 mm and to the front 1000 mm. When installing in a corner, the corners of the stove must be at least 150 mm from flammable walls. The height of the stones can vary. Adjust the height as necessary during assembly. For additional technical information, see the installation instructions on the website.

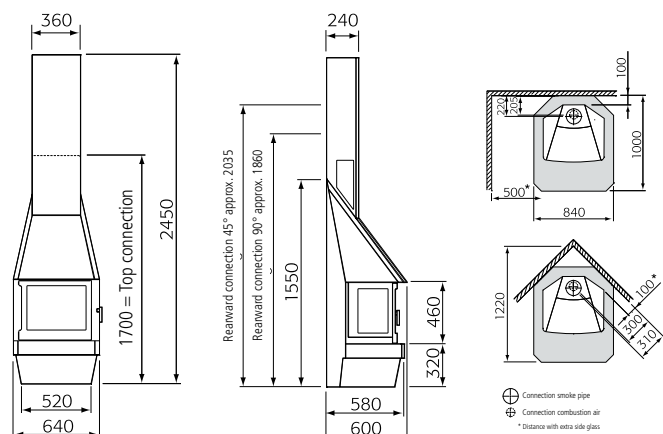


## CAMINA 200/300

Environmental no.: 395301



The top section of the stove can be extended up towards the ceiling. Each height extension segment is 1240 mm. Extra glass side panels for the combustion chamber are available as an optional extra. Glass is used when the distance to flammable furnishings is between 1000 mm and 500 mm. Glass must also be used when the stove is sited in a corner. The stove can be connected at the top and rear, 45° or 90°. For additional technical information, see the installation instructions on the website.

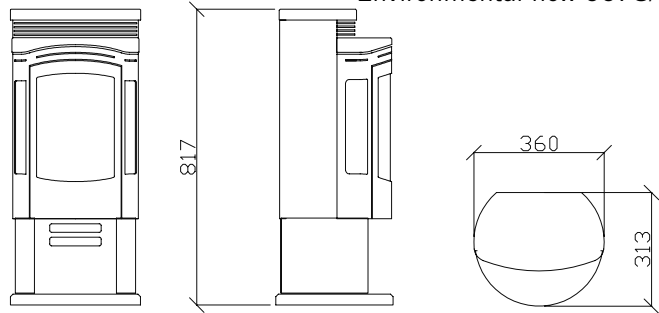


## CAMINA ART CITY

Environmental no.: 0078/07



Chimneyless spirit stove. No fire barrier is required. See installation instructions for safety regulations!! Do not fill with liquid when the stove is in operation or hot!! Never place foreign objects in the firebox. Always/only use Karneval stove fuel. For additional technical information, see the installation instructions on the website.

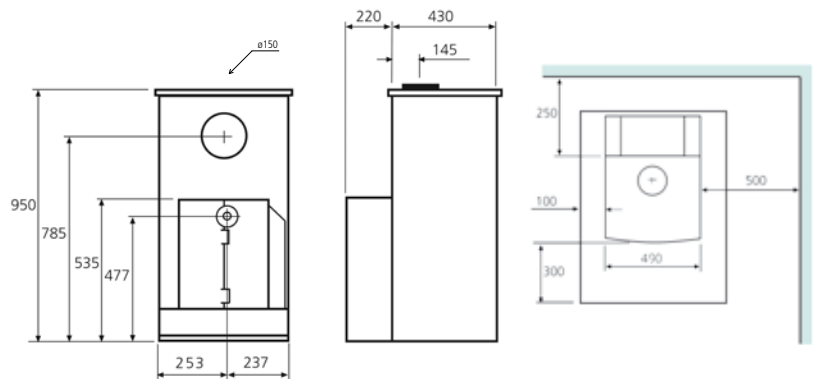


## ECOTEC TYR

Environmental no.: 251803



The stove can be connected at the top and rear. No fire barrier is required. The safety distance for flammable material is 250 mm to the rear, 500 mm to the sides and 1100 mm to the front. Width measurement with side storage compartment 950 mm. For additional technical information, refer to the website.

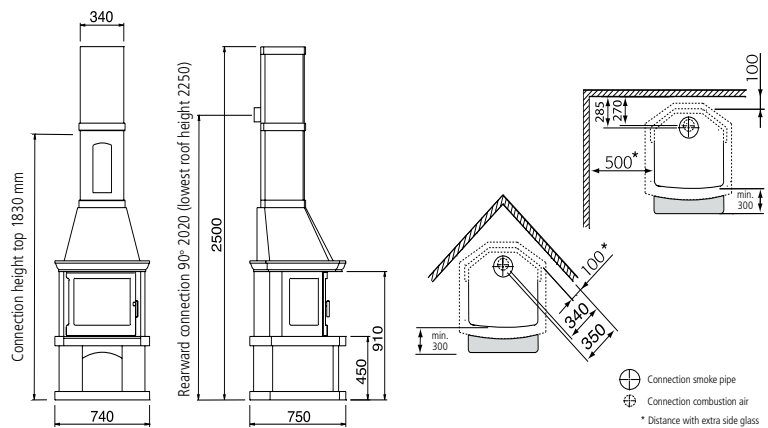


## CAMINA 600

Environmental no.: 395301



The height of the stove can be increased, using a maximum of two extra height extension segments, to a total of 3580 mm. The stove can be connected at the top and rear at 90°. No fire barrier required. For additional technical information, see the installation instructions on the website.

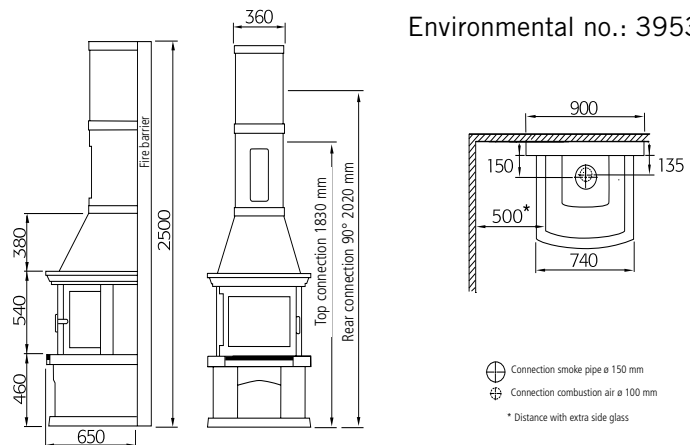


## CAMINA 610

Environmental no.: 395301



The height of the stove can be increased, using a maximum of two extra height extension segments, to a total of 3580 mm. The stove can be connected at the top and rear at 90°. Fire barrier required. Fire barriers can be purchased from your nearest DIY store; we recommend Siporex blocks. For additional technical information, see the installation instructions on the website.

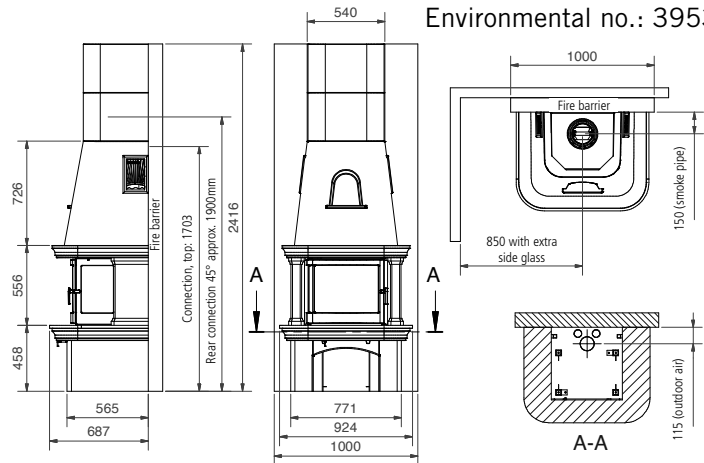


## CAMINA 700

Environmental no.: 395301



The top section of this masonry stove can be extended up towards the ceiling. Each height extension segment is 335 mm in height. However, please note that each segment must be very firmly secured to the wall. The stove can be connected at the top or rear at 45°. Fire barrier required. See installation instructions for material and dimensions. Fire barriers can be purchased from your nearest DIY store; we recommend Siporex blocks. For additional technical information, see the installation instructions on the website.

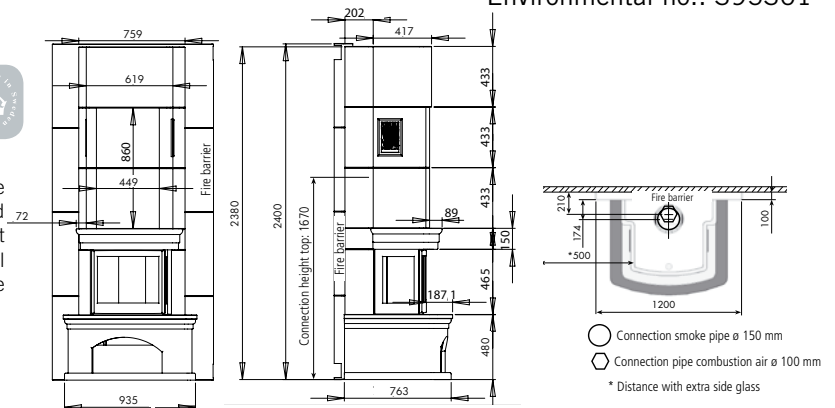


## CAMINA 800

Environmental no.: 395301



The stove can be connected at the top or rear at 45°. Fire barrier required. See installation instructions for material and dimensions. Fire barriers can be purchased from your nearest DIY store; we recommend Siporex blocks. For additional technical information, see the installation instructions on the website.

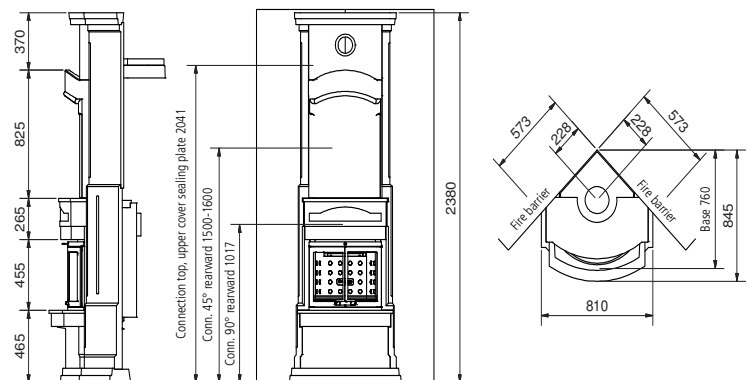


## CAMINA DALARÖ

Environmental no.: 0123/02



A protective plate is supplied with Camina Dalarö, it must be used if the masonry stove is installed on flammable material. The plate must be under the surround and not protrude at the front. A marble floor plate is available as an option to lay in front of the stove. Fire barrier required. See installation instructions for material and dimensions. Fire barriers can be purchased from your nearest DIY store; we recommend Siporex blocks. A starter pipe is required for top connection (optional extra), Connection pipe ø 150 mm. For additional technical information, see the installation instructions on the website.

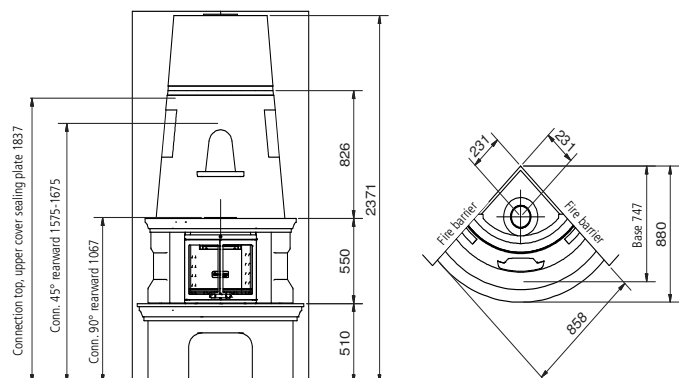


## CAMINA VÄSTANVIK

Environmental no.: 0123/02



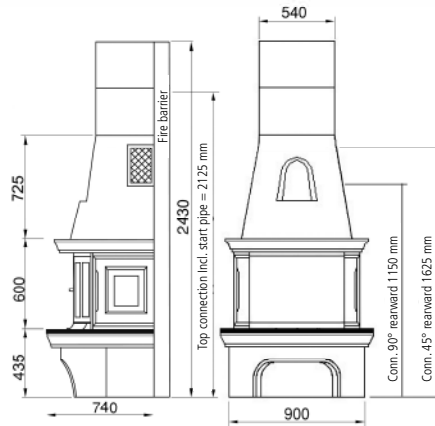
This masonry stove has a fixed height of 2350 mm. The fixed height is due to the fact that the hood is conical. Fire barrier required. See installation instructions for material and dimensions. Fire barriers can be purchased from your nearest DIY store; we recommend Siporex blocks. A starter pipe is required for top connection (optional extra), Connection pipe ø 150 mm. For additional technical information, see the installation instructions on the website.



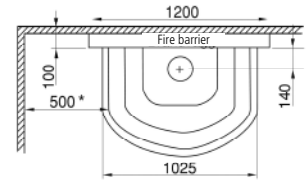
## CAMINA ÖVRALID



The top section of this masonry stove can be extended up towards the ceiling. Each height extension segment is 335 mm in height. However, please note that each segment must be very firmly secured to the wall. The stove can be connected at the top or rear. A starter pipe is required for top connection. Fire barrier required. See installation instructions for material and dimensions. Fire barriers can be purchased from your nearest DIY store; we recommend Siporex blocks. For additional technical information, see the installation instructions on the website.



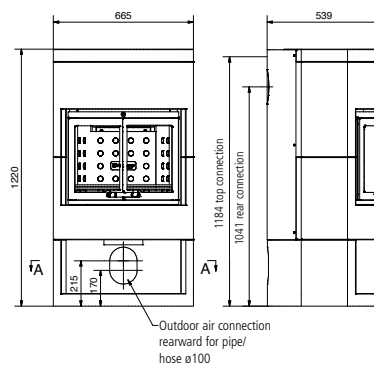
Environmental no.: 0295/99



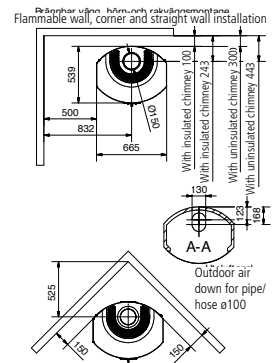
## CAMINA GETTERÖN



The stove can be connected at the top and rear. No fire barrier is required, but the safety distance with insulated chimney for flammable material is: side 500 mm, to rear 100 mm and to the front 1000 mm. When installing the stove in a corner, the corners of the stove must be at least 150 mm from flammable walls. For additional technical information, see the installation instructions on the website.



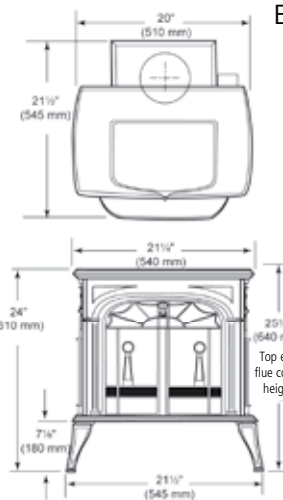
Environmental no.: 0195/07



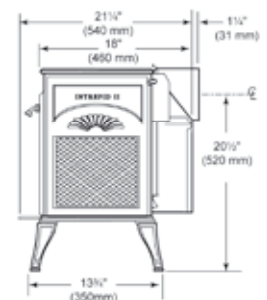
## INTREPID II



Cast-iron stoves heat up the air by emitting heat through the material around the entire stove. Consequently, the stove has a safety distance for flammable material. With this stove, the distance from the sides is 700 mm and to the rear, with an extra protective plate (optional extra), 250 mm. If the stove is to be positioned closer to flammable material than these distances, a fire barrier is required. Protective plate for bottom (included) and must always be installed. For additional technical information, see the installation instructions on the website.



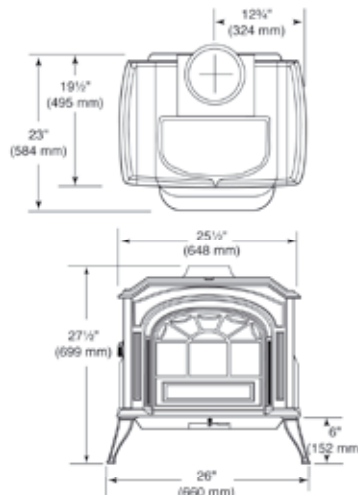
Environmental no.: 3309/89



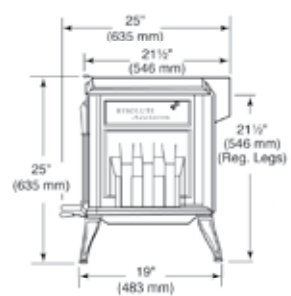
## ACCLAIM II



Cast-iron stoves heat up the air by emitting heat through the material around the entire stove. Consequently, the stove has a safety distance for flammable material. With this stove, the distance from the sides is 700 mm and to the rear, with an extra protective plate (optional extra), 250 mm. If the stove is to be positioned closer to flammable material than these distances, a fire barrier is required. Protective plate for bottom (included) and must always be installed. For additional technical information, see the installation instructions on the website.



Environmental no.: 4348/89

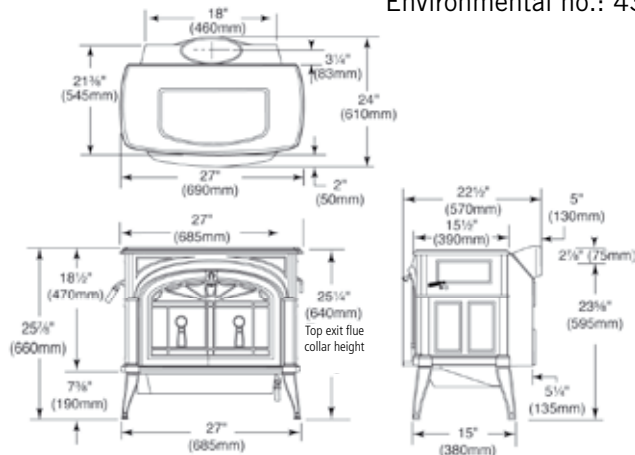


## ENCORE EB II

Environmental no.: 4347/89



Cast-iron stoves heat up the air by emitting heat through the material around the entire stove. Consequently, the stove has a safety distance for flammable material. With this stove, the distance from the sides is 700 mm and to the rear, with an extra protective plate (optional extra), 250 mm. If the stove is to be positioned closer to flammable material than these distances, a fire barrier is required. Protective plate for bottom (included) and must always be installed. For additional technical information, see the installation instructions on the website.



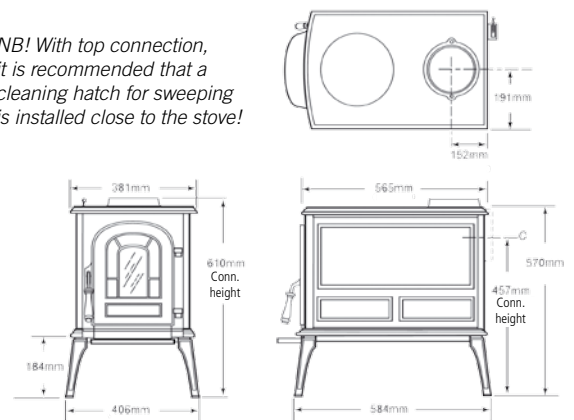
## ASPEN

Environmental no.: 0040/07



Cast-iron stoves heat up the air by emitting heat through the material around the entire stove. Consequently, the stove has a safety distance for flammable material. With this stove, the distance from the sides is 700 mm and to the rear, with an extra protective plate (optional extra), 330 mm. If the stove is to be positioned closer to flammable material than these distances, a fire barrier is required. Protective plate for bottom (included) and must always be installed. When building the stove surround, a chimney sweep should be consulted before starting installation. For additional technical information, see the installation instructions on the website.

*NB! With top connection, it is recommended that a cleaning hatch for sweeping is installed close to the stove!*

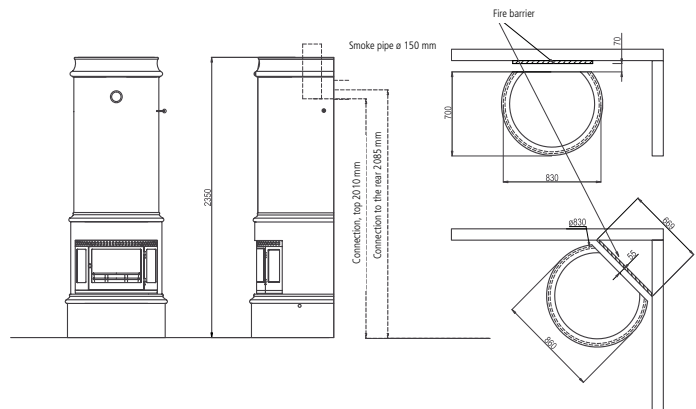


## SVENSKA KAKELUGNAR SILVIA / LILIAN

Environmental no.: 0109/95



This tiled stove weighs approximately 1050 kg, so the floor may need to be reinforced! This stove can be extended up towards the ceiling if the ceiling height is higher than 2400 mm. Each section builds 290 mm. The design requires a fire barrier of Minerit or Masterboard at least as wide as the actual stove. A protective plate is also available (optional extra) to attach to the stove, in which case a fire barrier is not needed. For additional technical information, see the installation instructions on the website.

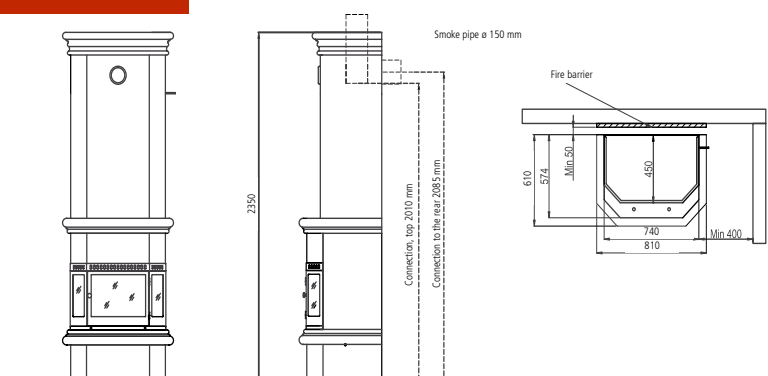


## SVENSKA KAKELUGNAR GUSTAF / CARL PHILIP

Environmental no.: 0109/95



This tiled stove weighs approximately 950 kg, so the floor may need to be reinforced! This stove can be extended up towards the ceiling if the ceiling height is higher than 2400 mm. Each segment adds 290 mm and you can add as many as required. The design requires a fire barrier of Minerit or Masterboard at least as wide as the actual stove. A protective plate is also available (optional extra) to attach to the stove, in which case a fire barrier is not needed. For lowered tiled stove/ceramic stove the height is reduced 290 mm. For additional technical information, see the installation instructions on the website.



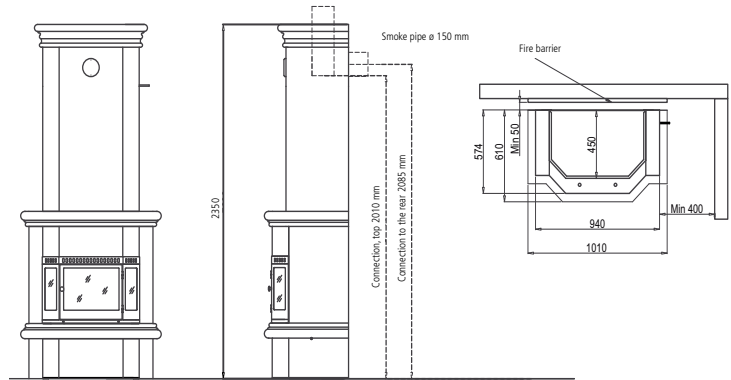


## SVENSKA KAKELUGNAR VIKTORIA

Environmental no.: 0109/95



This tiled stove weighs approximately 1160 kg, so the floor may need to be reinforced! This stove can be extended up towards the ceiling if the ceiling height is higher than 2400 mm. Each segment adds 290 mm and you can add as many as required. The design requires a fire barrier of Minerit or Masterboard at least as wide as the actual stove. A protective plate is also available (optional extra) to attach to the stove, in which case a fire barrier is not needed. For lowered tiled stove/ceramic stove the height is reduced 290 mm. For additional technical information, see the installation instructions on the website.

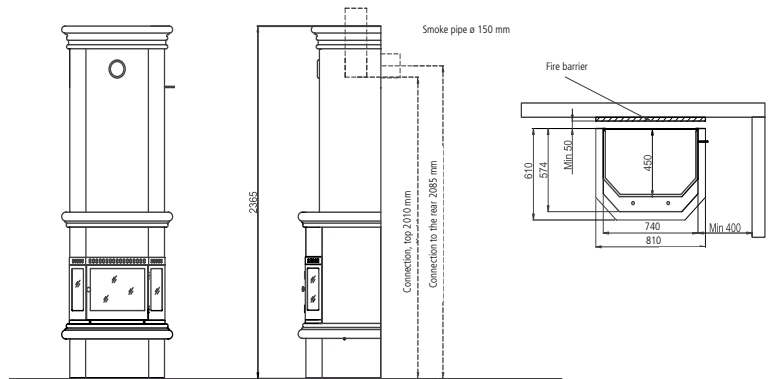


## SVENSKA KAKELUGNAR KATARINA

Environmental no.: 0109/95



This tiled stove weighs approximately 950 kg, so the floor may need to be reinforced! This stove can be extended up towards the ceiling if the ceiling height is higher than 2400 mm. Each segment adds 290 mm and you can add as many as required. The design requires a fire barrier of Minerit or Masterboard at least as wide as the actual stove. A protective plate is also available (optional extra) to attach to the stove, in which case a fire barrier is not needed. For lowered tiled stove/ceramic stove the height is reduced 290 mm. For additional technical information, see the installation instructions on the website.

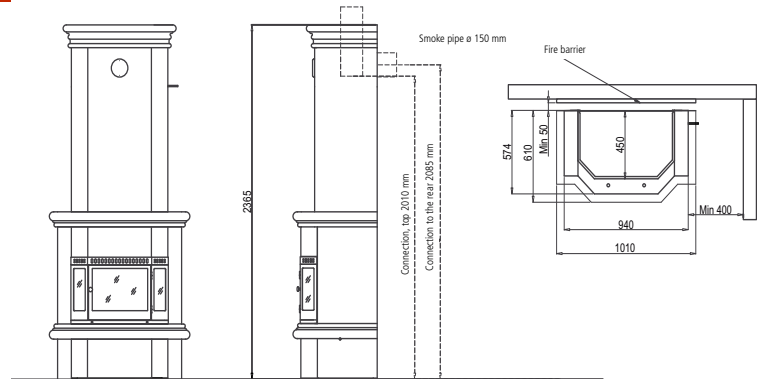


## SVENSKA KAKELUGNAR MADELEINE

Environmental no.: 0109/95



This tiled stove weighs approximately 1160 kg, so the floor may need to be reinforced! This stove can be extended up towards the ceiling if the ceiling height is higher than 2400 mm. Each segment adds 290 mm and you can add as many as required. The design requires a fire barrier of Minerit or Masterboard at least as wide as the actual stove. A protective plate is also available (optional extra) to attach to the stove, in which case a fire barrier is not needed. For lowered tiled stove/ceramic stove the height is reduced 290 mm. For additional technical information, see the installation instructions on the website.

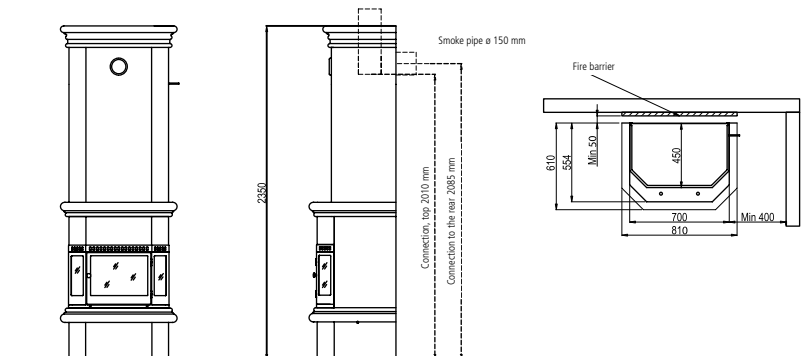


## SVENSKA KAKELUGNAR KARL

Environmental no.: 0109/95



This ceramic stove weighs approximately 850 kg, so the floor may need to be reinforced! This stove can be extended up towards the ceiling if the ceiling height is higher than 2400 mm. Each segment adds 290 mm and you can add as many as required. The design requires a fire barrier of Minerit or Masterboard at least as wide as the actual stove. A protective plate is also available (optional extra) to attach to the stove, in which case a fire barrier is not needed. For lowered tiled stove/ceramic stove the height is reduced 290 mm. For additional technical information, see the installation instructions on the website.

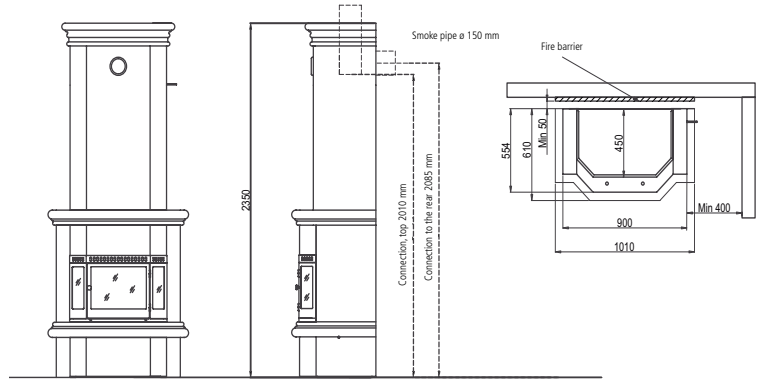


## SVENSKA KAKELUGNAR KRISTINA

Environmental no.: 0109/95



This ceramic stove weighs approximately 1010 kg, so the floor may need to be reinforced! This stove can be extended up towards the ceiling if the ceiling height is higher than 2400 mm. Each segment adds 290 mm and you can add as many as required. The design requires a fire barrier of Minerit or Masterboard at least as wide as the actual stove. A protective plate is also available (optional extra) to attach to the stove, in which case a fire barrier is not needed. For lowered tiled stove/ceramic stove the height is reduced 290 mm. For additional technical information, see the installation instructions on the website.

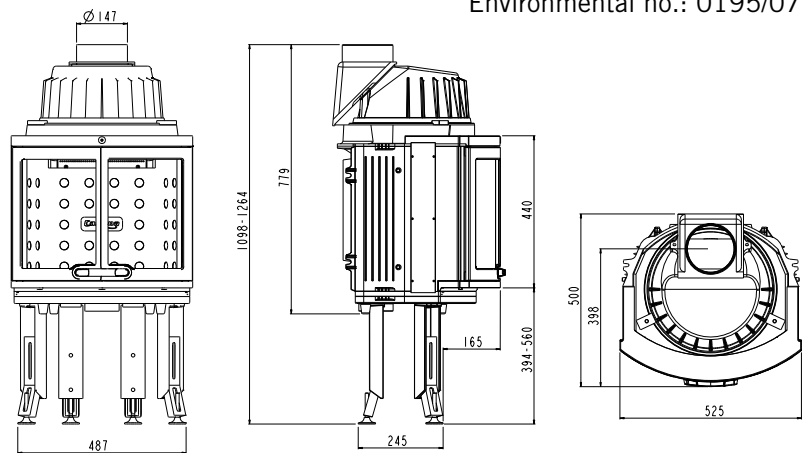


## CAMINA 4000i

Environmental no.: 0195/07



When constructing your surround to house this stove insert, it is essential to ensure there are proper vents in the base and hood to allow the air to circulate around the insert and provide correct heat distribution. The stove insert is available in two styles: a two-panel front or a full panorama opening. Always contact an authorised chimney sweep for advice before installing a stove insert and surround. For additional technical information, see the installation instructions on the website.

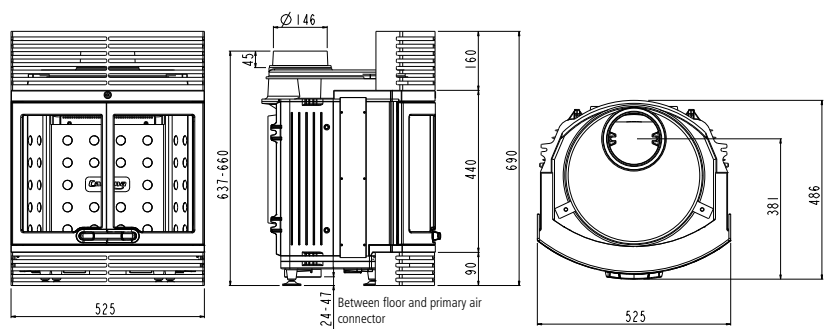


## CAMINA 4000K

Environmental no.: 0195/07



When installing in an open fireplace, it is essential to leave an air gap of approximately 1 cm between the stove unit and the brickwork. This is to allow the air to circulate and to ensure correct heat distribution. The stove unit is available in two styles: a two-panel front or a full panorama opening. Top and bottom grilles are available as optional extras. Always contact an authorised chimney sweep for advice before installing a stove unit in an open fireplace. For additional technical information, see the installation instructions on the website.

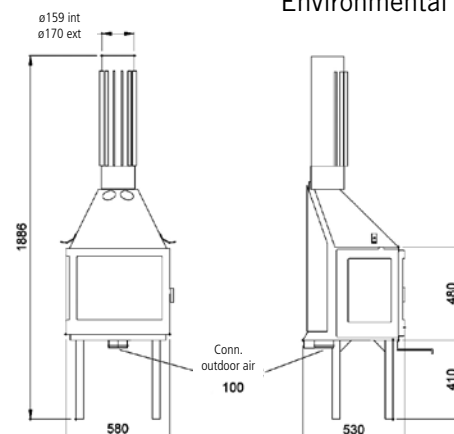


## CAMINA 600 BK

Environmental no.: 395301



When constructing your surround to house this stove insert, it is essential to ensure there are proper vents in the base and hood to allow the air to circulate around the insert and provide correct heat distribution. Always contact an authorised chimney sweep for advice before installing a stove insert and surround. For additional technical information, see the installation instructions on the website.

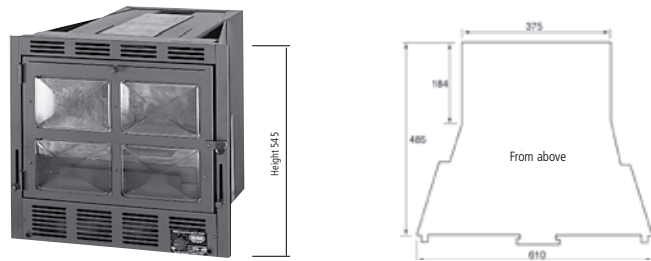


## CAMINA WÄRMO STRAIGHT

Environmental no.: 6636/85



This stove unit is designed to be connected without a pipe. The firebox lining is vermiculite. A soapstone firebox lining is available as an optional extra. If you want a pipe connection to your Wärmo stove unit, you need to purchase a cover with connector. The connector diameter is then 150 mm. A fan is included. For additional technical information, see the installation instructions on the website.



**Cover plate set, Straight:**  
W2001

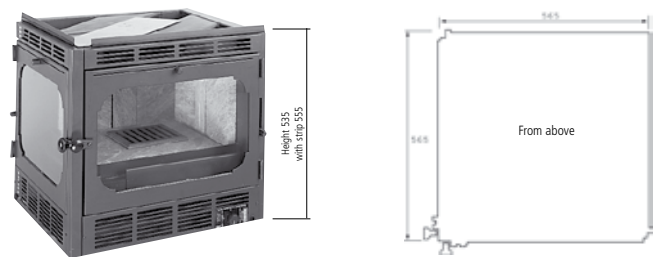


## CAMINA WÄRMO CORNER

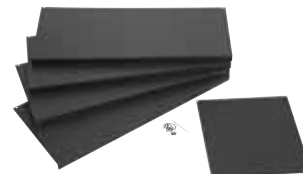
Environmental no.: 6636/85



This stove unit is designed to be connected without a pipe. The firebox lining is vermiculite. A soapstone firebox lining is available as an optional extra. If you want a pipe connection to your Wärmo stove unit, you need to purchase a cover with connector. The connector diameter is then 150 mm. A fan is included. For additional technical information, see the installation instructions on the website.



**Cover plate set, Corner:**  
W2031



## CAMINA WÄRMO EXCLUSIVE

Environmental no.: 6636/85



This stove unit is designed to be connected without a pipe. The firebox lining is vermiculite. A soapstone firebox lining is available as an optional extra. If you want a pipe connection to your Wärmo stove unit, you need to purchase a cover with connector. The connector diameter is then 150 mm. A fan is included. For additional technical information, see the installation instructions on the website.



**Cover plate set, Exclusive:**  
W2071



For more information about us  
and your nearest distributor, go to  
[www.camina.se](http://www.camina.se)



Distributor:



CaminaEcotec Sweden AB  
Box 2103, SE-511 02 Skene, Sweden

[www.camina.se](http://www.camina.se)